

Cage Wall Systems

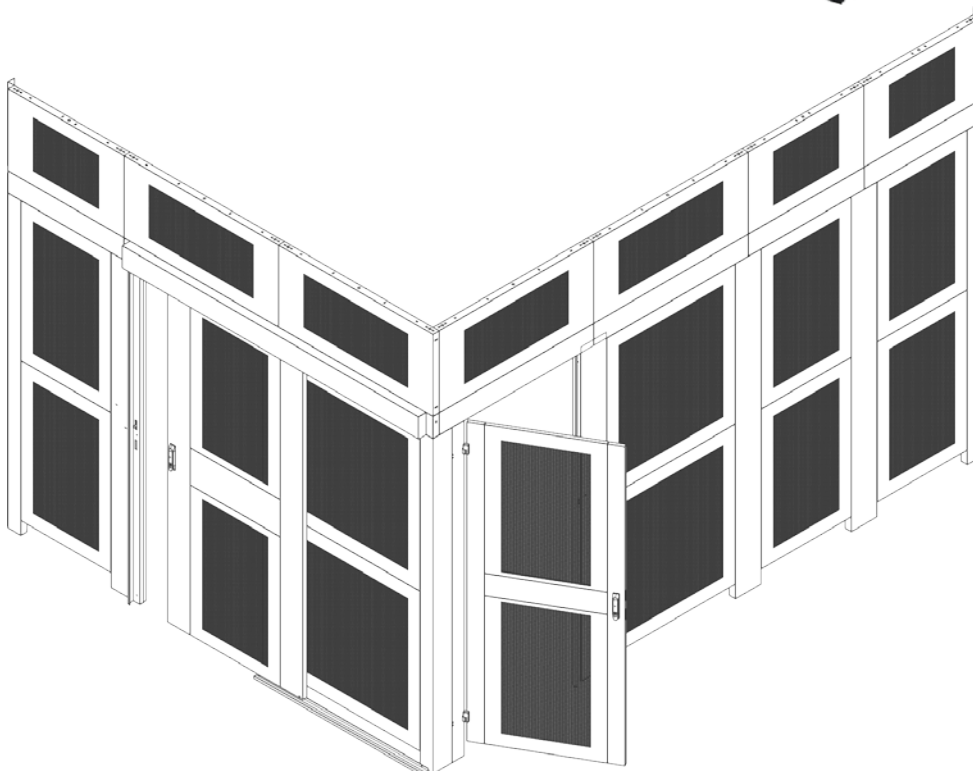
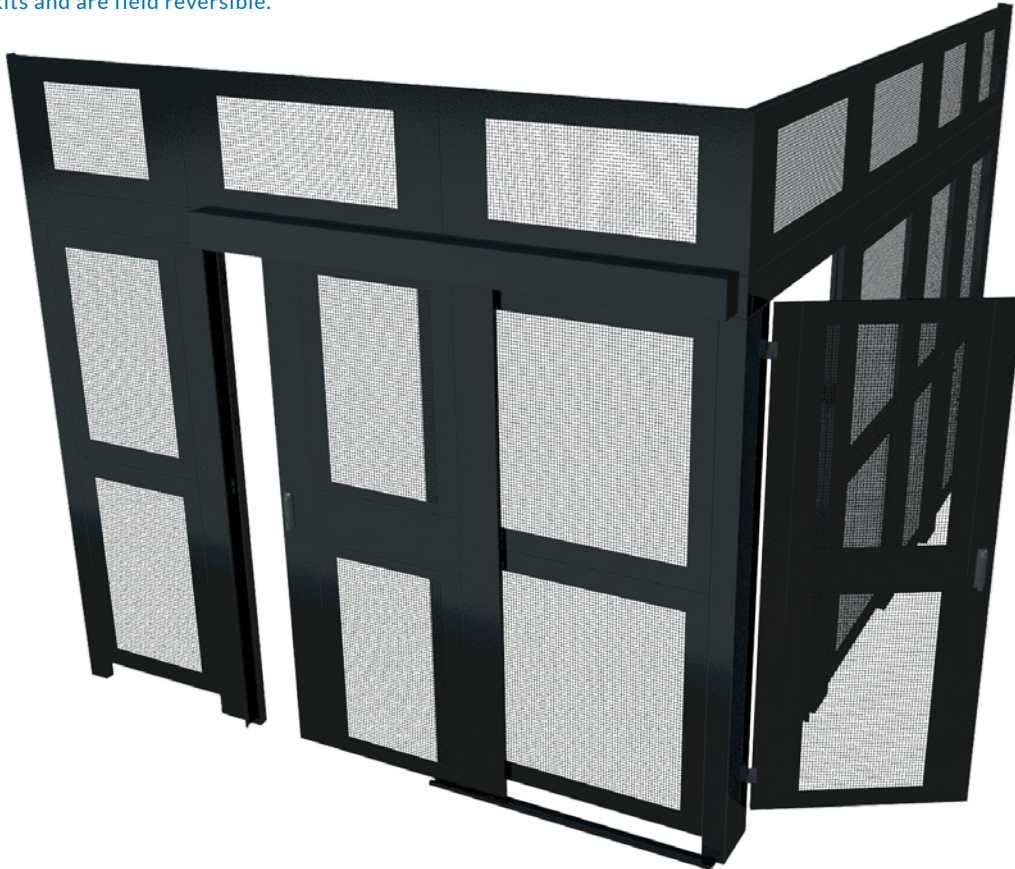
R.F. Mote Cage Wall Systems provide an additional physical layer of security for your data and information system equipment.

Ideal for use in Data Center and Colocation sites; Cages allow groupings of cabinets to be segregated with access controlled by customer or security clearance levels.

Sliding doors and swing doors available with various lock options. Choose from keyed, combination locking or electronic versions.

Manual locking doors come with an override feature inside the cage to prevent persons from being locked in.

Modular design to suit any requirement. Wall sections, including columns, are available in 3 foot (36") and 4 foot (48") widths. Doors are provided as kits and are field reversible.



Features and Highlights

- Modular design
- Cage Walls configurable in 1 foot (12") increments
- 90" Clearance height
- 96" Overall height - extendable up to 11' 10"
- Panels perforated 3/8" square
- Field reversible, Swing* or Sliding doors
- Doors available with various locking options: keyed lock, combination lock, and electronic versions
- Provisions in top valence to accept Roof Brackets and threaded rods extended to ceiling (rods provided by customer)
- CAD layout & bill of materials provided for each project
- Heavy gauge steel construction
- Durable textured black powder coat finish
- Custom sizes and colours available on request

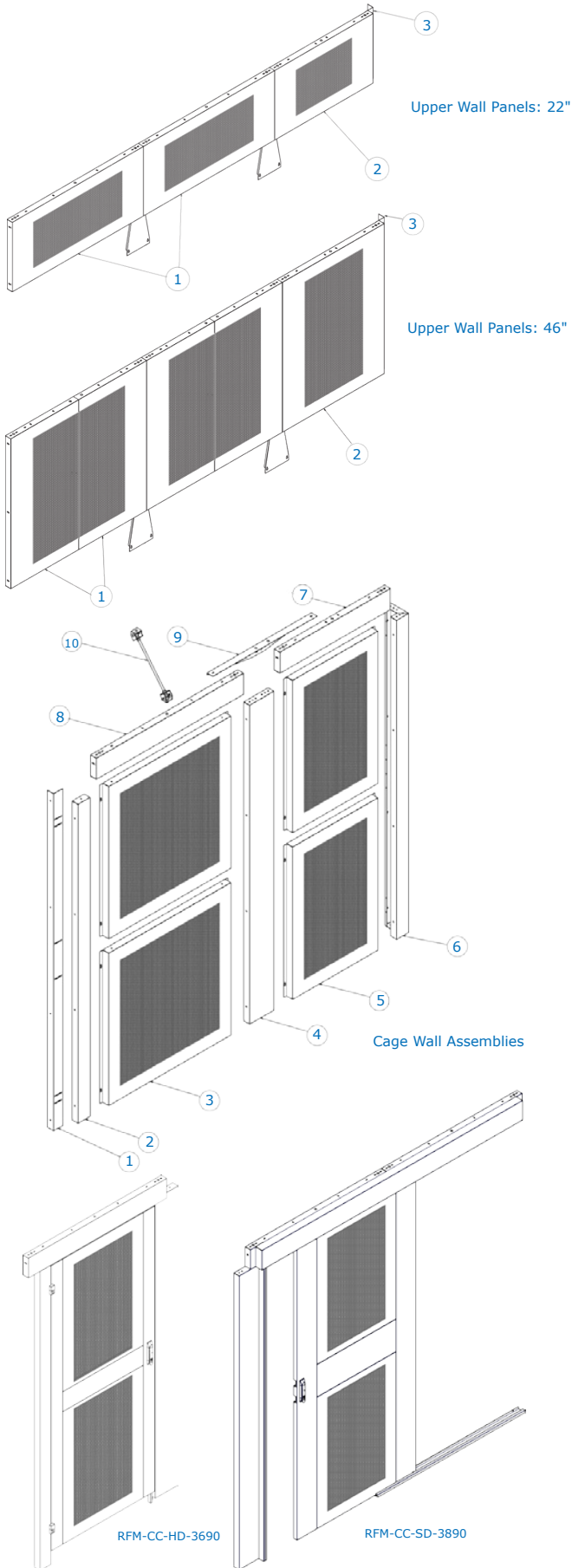
* Right Hand Hinge Kit may be required

Scan QR Code



for more info!

Cage Wall Systems



Upper Wall Panel Assemblies 10' (Extends height to 9' 10")

ITEM	PART NUMBER	DESCRIPTION
1	RFM-CC-TP-4822	48"W Top wall panel: 48" x 22"
2	RFM-CC-TP-3622	36"W Top wall panel: 36" x 22"
3	RFM-CC-WB-22	Wall close off bracket

Upper Wall Panel Assemblies 12' (Extends height to 11' 10")

ITEM	PART NUMBER	DESCRIPTION
1	RFM-CC-TP-4846	48"W Top wall panel: 48" x 46" (2 Pcs)
2	RFM-CC-TP-3646	36"W Top wall panel: 36" x 46"
3	RFM-CC-WB-46	Wall close off bracket

Cage Wall Panel Assemblies:

ITEM	PART NUMBER	DESCRIPTION
1	RFM-CC-WB-90	Wall close off bracket
2	RFM-CCJC-4-90	Starter column: 4" x 90"
3	RFM-CC-WP-4043	48"W Wall panel: 40" x 43"
4	RFM-CC-JC-8-90	Joiner column: 8" x 90"
5	RFM-CC-WP-2843	36"W Wall panel: 28" x 43"
6	RFM-CC-CP-90	Corner post 90"
7	RFM-CC-J-6-36	Valence: 6" x 36"
8	RFM-CC-J-6-48	Valence: 6" x 48"
9	RFM-CC-JB-36	Joining bracket
10	RFM-CC-ROOF-BRK	Bracket to bolt cage wall to ceiling (Threaded rod provided by customer)

Door Assemblies:

PART NUMBER	DESCRIPTION
RFM-CC-SD-3890	<ul style="list-style-type: none"> Sliding door assembly 38" door opening, LH or RH mounting Manual Locking
RFM-CC-SD-3890-EL	<ul style="list-style-type: none"> Sliding door assembly 38" door opening, LH or RH mounting Electronic Locking
RFM-CC-HD-3690	<ul style="list-style-type: none"> Hinged door assembly 36" door opening. LH mounting std., RH avail.

Door Handles and Right-hand Hinges:

PART NUMBER	DESCRIPTION
RFM-COMBOLOCK	<ul style="list-style-type: none"> Combination locking swing handle Retrofittable
RFM-E-LOCK-SH	<ul style="list-style-type: none"> Electronic locking swing handle (for Hinged Door) Retrofittable
RFM-RH-HINGE	<ul style="list-style-type: none"> Right hand hinge set (for Hinged Door assembly)