

General Assembly Instructions for Cage Containment

The following assembly installation instructions are for reference only. Actual parts used may differ from the ones used in this generic containment. Specific layout information and diagrams will be provided in addition to these general instructions. Item numbers used in these instructions are for reference only to this parts list. Please refer to the parts list and drawings sent with your containment unit for actual layout and part numbers.

Tools Required:

- 7/16" Deep style socket or wrench
- #2 Phillips head screwdriver
- 3/4" socket or wrench
- Tape Measure (recommended)
- Chalk Line (recommended)
- Level (recommended)

Tips For Installation:

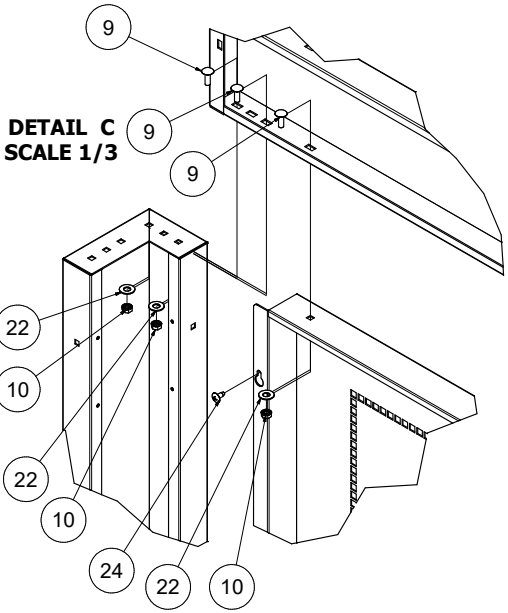
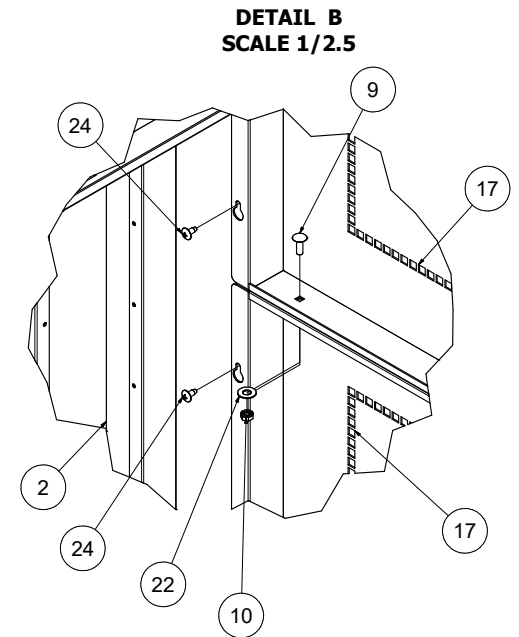
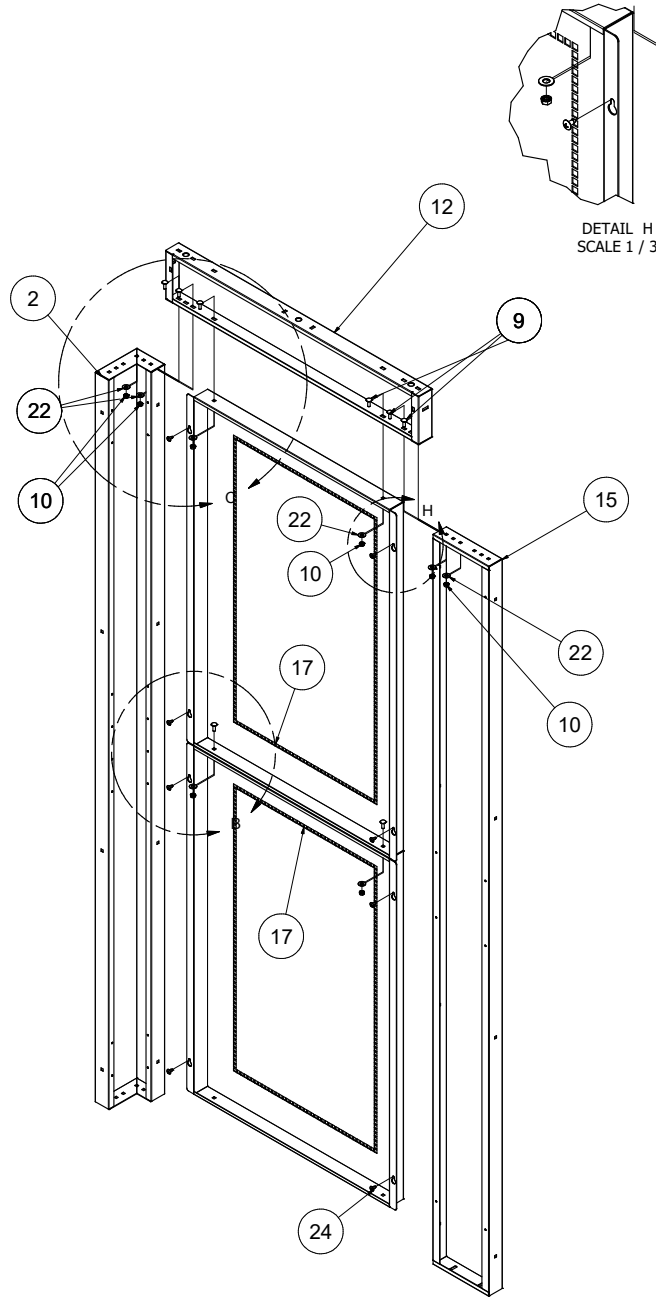
- Review all drawings and instructions first
- Unpackage items from the box and group accordingly. Ensure all parts are accounted for (refer to parts list of the accompanied layout drawings as reference)
 - Note: Some items may already be pre-assembled
- Begin installation (if possible) at a wall in order to have a rigid support
- Have temporary supports or multiple personnel available prior to installation as the wall may be unstable at times during assembly
- Fasten all items together but do not fully tighten all items until the very end once all cage items have been fully installed
- Ensure all columns and panels are installed level and plumb to each other before final tightening

The information contained herewithin is proprietary and confidential to **R.F.MOTE LTD.** It may not be reproduced or further disseminated, in whole or in part, without prior written consent from **R.F.MOTE LTD.**

R.F.MOTE



PARTS LIST		
ITEM	QTY	PART NUMBER
2	1	RFM-CC-CP-90
4	2	RFM-CC-JC-4-90
9		1/4-20 x 3/4 CARRIAGE BOLT
10		1/4-20 KEPS NUT
12	1	RFM-CC-J-6-36
15	1	RFM-CC-JC-8-90
16	2	RFM-CC-WP-4043
17	2	RFM-CC-WP-2843
18	4	RFM-CC-TOP-TEE KIT
21	1	RFM-CC-JB-36
22		5/16 Flat Washer
23	1	RFM-CC-WB-90
24		#12 X 1/2 TAPPING SCREW
27	2	RFM-CC-ROOF BRK-ASSEMBLY
29	2	RFM-CC-J-6-48
30	1	1/2-13 x 3/4 Hex Bolt
31	1	1/2-13 Hex Nut
32	1	RFM-CC-TOP TEE



Step 1:
Fasten the 2 cage panels (item 17) to each other using the supplied 1/4-20 x 3/4" carriage bolt (item 9), 1/4-20 keps nut (item 10), and 5/16" flat washer (item 22) as shown to the left. See detail B and H for the orientation of the teardrop slot. Tighten bolts using the 7/16" socket or wrench.

Step 2:
Fasten the pre-assembled (from step 1) cage panels (item 17) to the upright columns (item 2-corner post, and item 15) using the supplied #12 x 1/2" tapping screws (item 24). Tighten using Phillips head screwdriver. Note: Due to the teardrop hole design, the #12 screw can be partially inserted so the panels can drop into place for easier install.

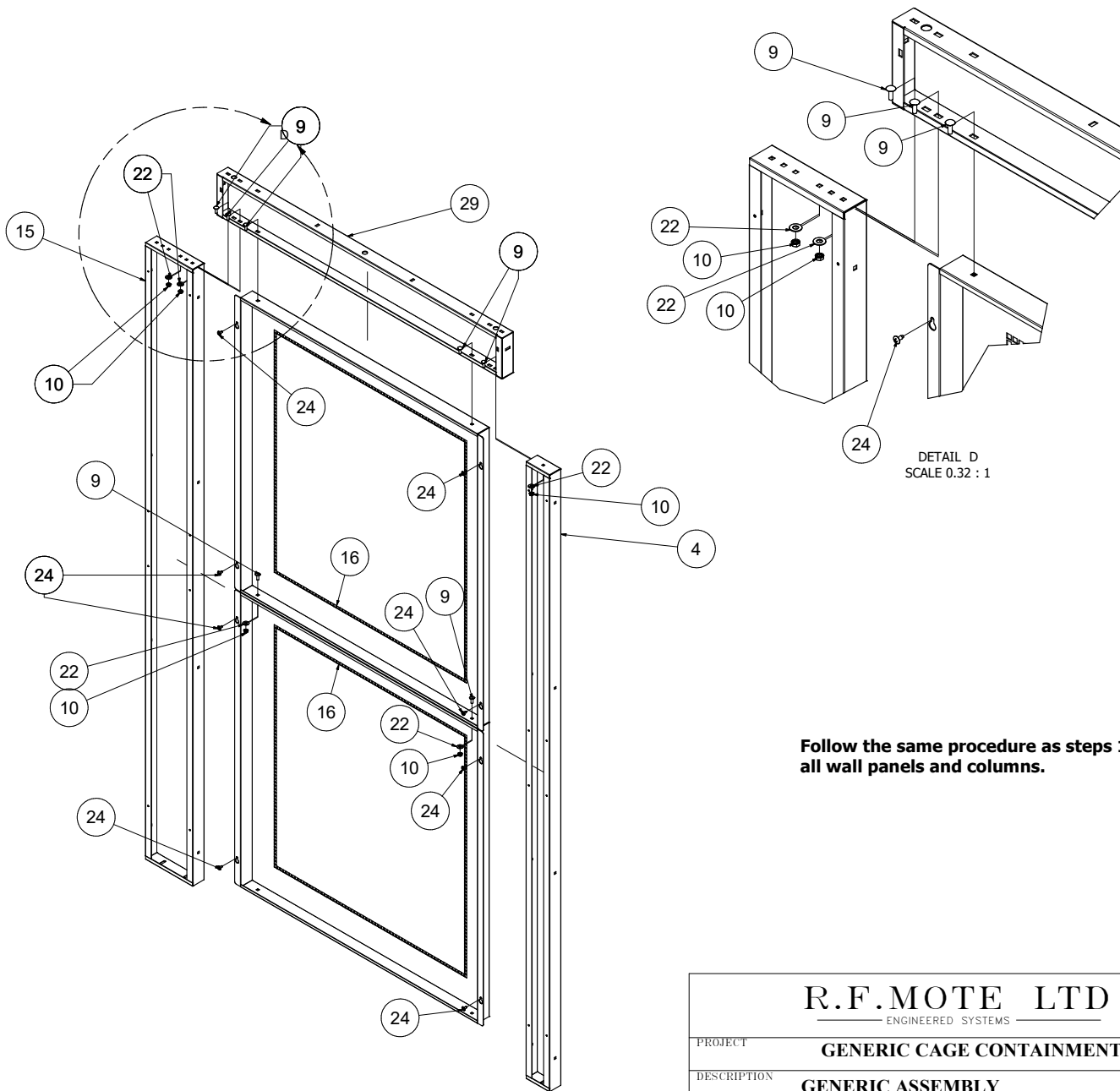
Step 3:
Fasten the top valance (item 12) using the supplied 1/4-20 x 3/4" carriage bolt (item 9) 1/4-20 keps nut (item 10) and 5/16" flat washer (item 22) as shown in detail C. Tighten bolts using the 7/16" socket or wrench.

R.F.MOTE LTD ENGINEERED SYSTEMS		214 NEWKIRK RD. RICHMOND HILL, ONTARIO L4C 3G7 PHONE (905) 884-5250 FAX (905) 737-5188		
PROJECT		GENERIC CAGE CONTAINMENT		
DESCRIPTION		GENERIC ASSEMBLY		
BY Barrie	DATE 09-May-14	SCALE TAP	DWG. NO. RFM-CC-S W C Render	REV 01
SHEET 2 OF 8				

8 | 7 | 6 | 5 | 4 | 3 | 2 | 1

PARTS LIST

ITEM	QTY	PART NUMBER
2	1	RFM-CC-CP-90
4	2	RFM-CC-JC-4-90
9		1/4-20 x 3/4 CARRIAGE BOLT
10		1/4-20 KEPS NUT
12	1	RFM-CC-J-6-36
15	1	RFM-CC-JC-8-90
16	2	RFM-CC-WP-4043
17	2	RFM-CC-WP-2843
18	4	RFM-CC-TOP-TEE KIT
21	1	RFM-CC-JB-36
22		5/16 Flat Washer
23	1	RFM-CC-WB-90
24		#12 X 1/2 TAPPING SCREW
27	2	RFM-CC-ROOF BRK-ASSEMBLY
29	2	RFM-CC-J-6-48
30	1	1/2-13 x 3/4 Hex Bolt
31	1	1/2-13 Hex Nut
32	1	RFM-CC-TOP TEE



DETAIL D
SCALE 0.32 : 1

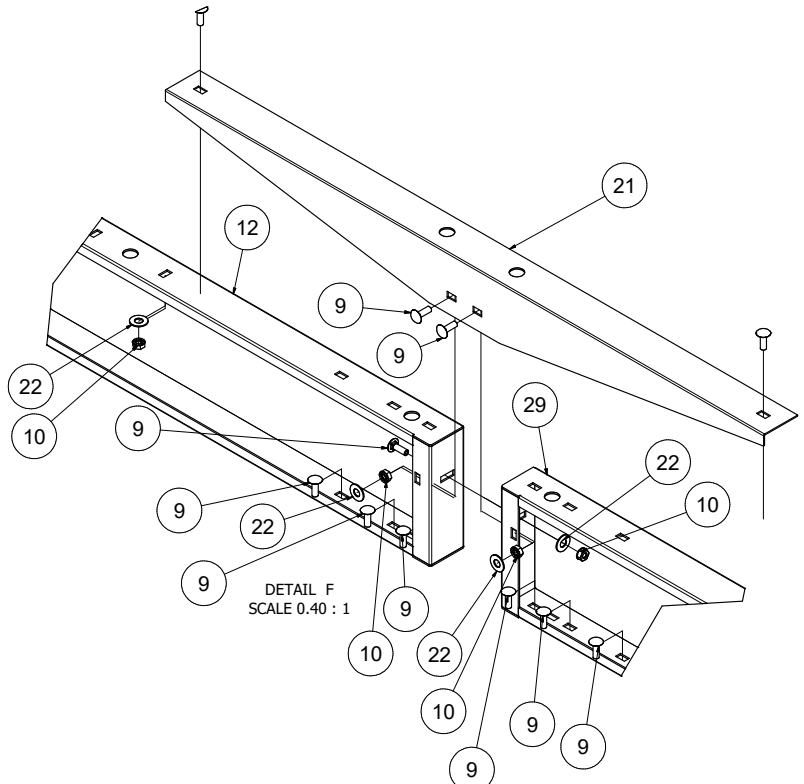
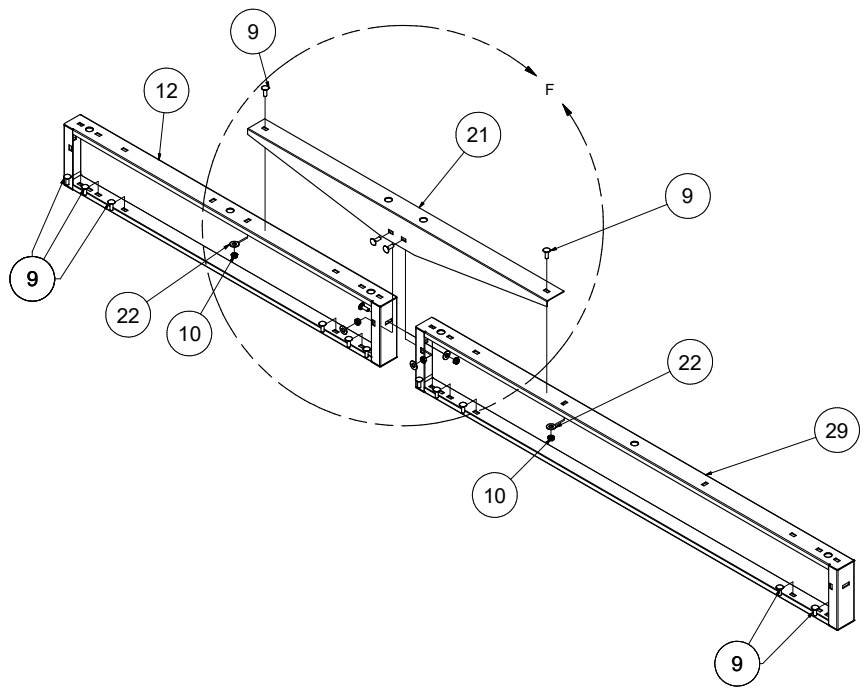
Follow the same procedure as steps 1-3 for all wall panels and columns.

R.F.MOTE LTD ENGINEERED SYSTEMS		214 NEWKIRK RD. RICHMOND HILL, ONTARIO L4C 3G7 PHONE (905) 884-5250 FAX (905) 737-5188	
PROJECT GENERIC CAGE CONTAINMENT			
DESCRIPTION GENERIC ASSEMBLY			
BY Barrie	DATE 09-May-14	SCALE TAP	DWG. NO. RFM-CC-S W C Render
MAT'L BLANK	REV 01		SHEET 3 OF 8

8 | 7 | 6 | 5 | 4 | 3 | 2 | 1

PARTS LIST

ITEM	QTY	PART NUMBER
2	1	RFM-CC-CP-90
4	2	RFM-CC-JC-4-90
9		1/4-20 x 3/4 CARRIAGE BOLT
10		1/4-20 KEPS NUT
12	1	RFM-CC-J-6-36
15	1	RFM-CC-JC-8-90
16	2	RFM-CC-WP-4043
17	2	RFM-CC-WP-2843
18	4	RFM-CC-TOP-TEE KIT
21	1	RFM-CC-JB-36
22		5/16 Flat Washer
23	1	RFM-CC-WB-90
24		#12 X 1/2 TAPPING SCREW
27	2	RFM-CC-ROOF BRK-ASSEMBLY
29	2	RFM-CC-J-6-48
30	1	1/2-13 x 3/4 Hex Bolt
31	1	1/2-13 Hex Nut
32	1	RFM-CC-TOP TEE



Valance Support Joiners:

Fasten the joiner bracket (item 21) as shown at all joints between valances using the supplied 1/4-20 x 3/4" carriage bolt (item 9), 1/4-20 keps nut (item 10) and 5/16" flat washer (item 22) at the 4 locations as shown. Use the 7/16" socket or wrench to tighten.

R.F.MOTE LTD ENGINEERED SYSTEMS		214 NEWKIRK RD. RICHMOND HILL, ONTARIO L4C 3G7 PHONE (905) 884-5250 FAX (905) 737-5188	
PROJECT		GENERIC CAGE CONTAINMENT	
DESCRIPTION		GENERIC ASSEMBLY	
BY Barrie	DATE 09-May-14	SCALE TAP	DWG. NO. RFM-CC-S W C Render
MAT'L BLANK			REV 01
		SHEET 4 OF 8	

PARTS LIST		
ITEM	QTY	PART NUMBER
2	1	RFM-CC-CP-90
4	2	RFM-CC-JC-4-90
9		1/4-20 x 3/4 CARRIAGE BOLT
10		1/4-20 KEPS NUT
12	1	RFM-CC-J-6-36
15	1	RFM-CC-JC-8-90
16	2	RFM-CC-WP-4043
17	2	RFM-CC-WP-2843
18	4	RFM-CC-TOP-TEE KIT
21	1	RFM-CC-JB-36
22		5/16 Flat Washer
23	1	RFM-CC-WB-90
24		#12 X 1/2 TAPPING SCREW
27	2	RFM-CC-ROOF BRK-ASSEMBLY
29	2	RFM-CC-J-6-48
30	1	1/2-13 x 3/4 Hex Bolt
31	1	1/2-13 Hex Nut
32	1	RFM-CC-TOP TEE

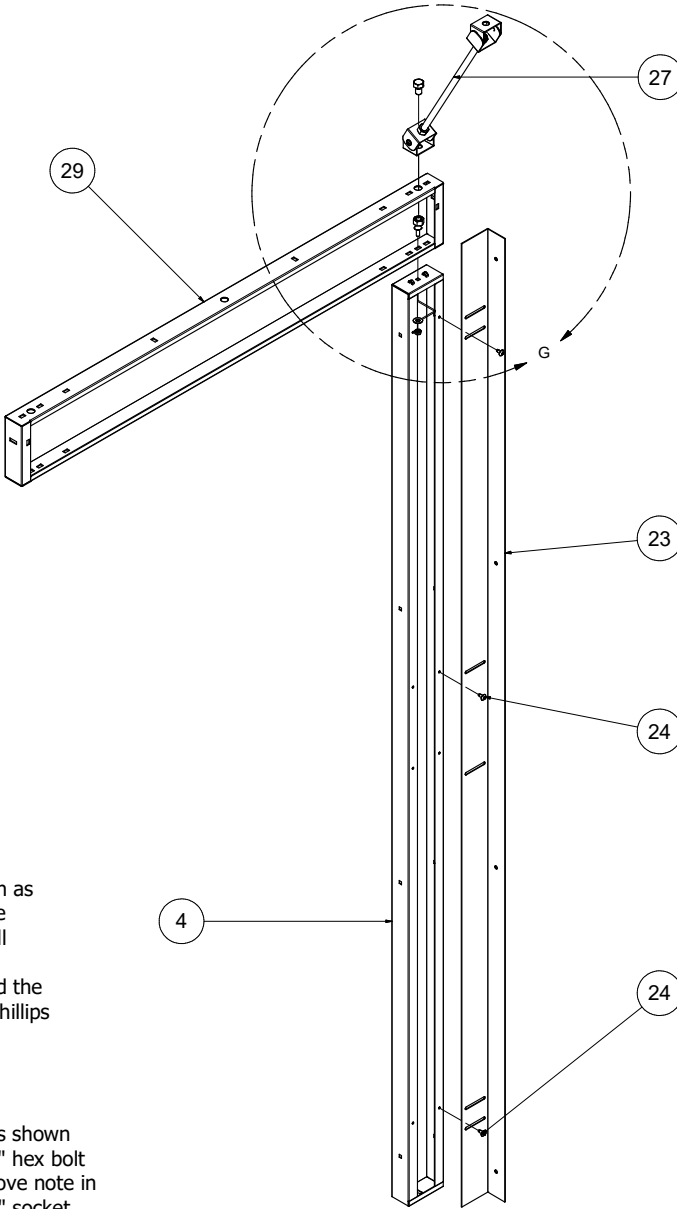
NOTE: CAGE COLUMNS AND WALL BRACKETS MUST BE FASTENED TO FLOORS AND WALLS WITH SUITABLE FASTENERS SUPPLIED BY OTHERS

Wall Bracket Install:

Fasten the wall bracket (item 23) to each end column as required to attach and support the cage wall. Use the supplied #12 x 1/2" tapping screws to fasten the wall bracket to the end columns. This can be adjusted as necessary to close off any void between the wall, and the first column of the cage wall. Tighten using the #2 Phillips head screwdriver.

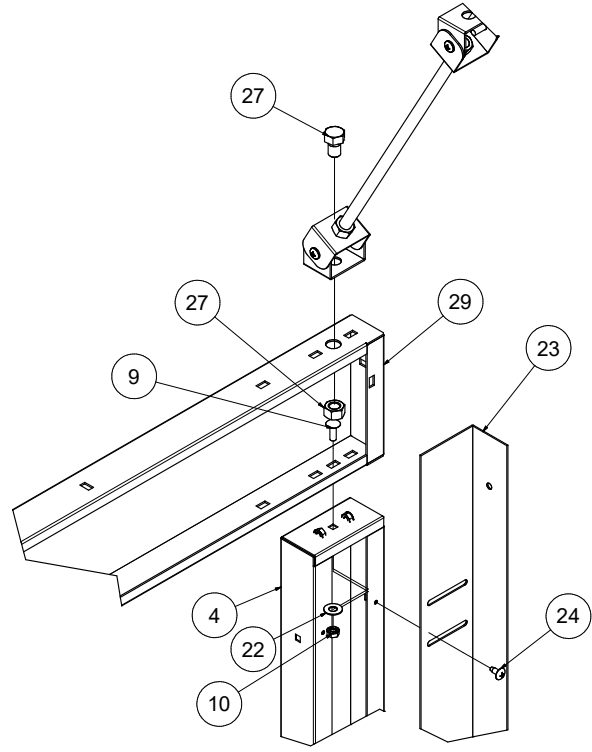
Roof Bracket Install:

Attach the roof brackets (item 27) at each location as shown on the supplied cage drawing using the 1/2-13 x 3/4" hex bolt and 1/2-13 hex nut as shown in detail G. See the above note in reference to the threaded rod. Tighten using the 3/4" socket or wrench.



NOTE: 1/2" DIAMETER THREADED ROD SUPPLIED BY OTHERS LENGTH TO SUIT CEILING HEIGHT

HARDWARE TO MOUNT TO CEILING SUPPLIED BY OTHERS

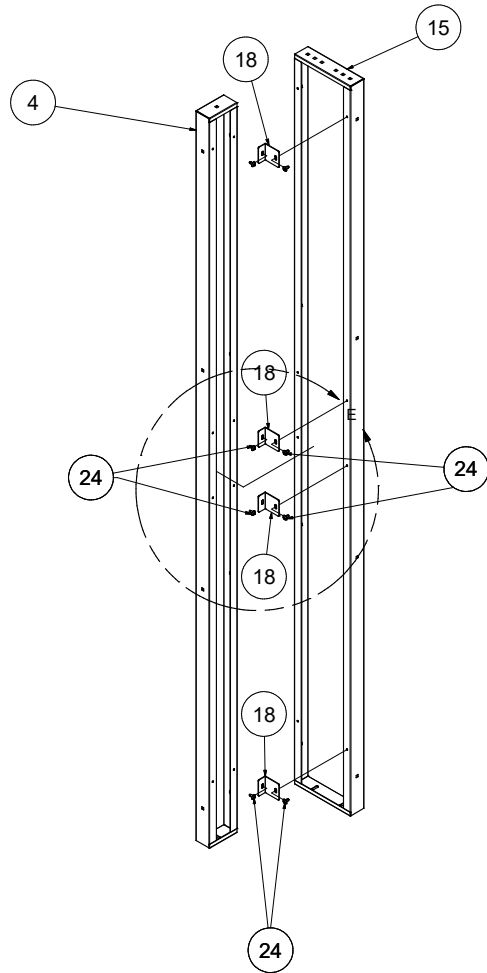


DETAIL G
SCALE 0.40 : 1

R.F.MOTE LTD <small>ENGINEERED SYSTEMS</small>		<small>214 NEWKIRK RD. RICHMOND HILL, ONTARIO L4C 3G7 PHONE (905) 884-5250 FAX (905) 737-5188</small>		
PROJECT		GENERIC CAGE CONTAINMENT		
DESCRIPTION		GENERIC ASSEMBLY		
BY	DATE	SCALE	DWG. NO.	REV
Barrie	09-May-14		RFM-CC-S W C Render	01
MAT'L	BLANK	TAPE	SHEET 5 OF 8	

PARTS LIST		
ITEM	QTY	PART NUMBER
2	1	RFM-CC-CP-90
4	2	RFM-CC-JC-4-90
9		1/4-20 x 3/4 CARRIAGE BOLT
10		1/4-20 KEPS NUT
12	1	RFM-CC-J-6-36
15	1	RFM-CC-JC-8-90
16	2	RFM-CC-WP-4043
17	2	RFM-CC-WP-2843
18	4	RFM-CC-TOP-TEE KIT
21	1	RFM-CC-JB-36
22		5/16 Flat Washer
23	1	RFM-CC-WB-90
24		#12 X 1/2 TAPPING SCREW
27	2	RFM-CC-ROOF BRK-ASSEMBLY
29	2	RFM-CC-J-6-48
30	1	1/2-13 x 3/4 Hex Bolt
31	1	1/2-13 Hex Nut
32	1	RFM-CC-TOP TEE

NOTE: ITEM 18 IS USED ONLY WHEN A WALL IS INSTALLED ANYWHERE EXCEPT ON CORNERS

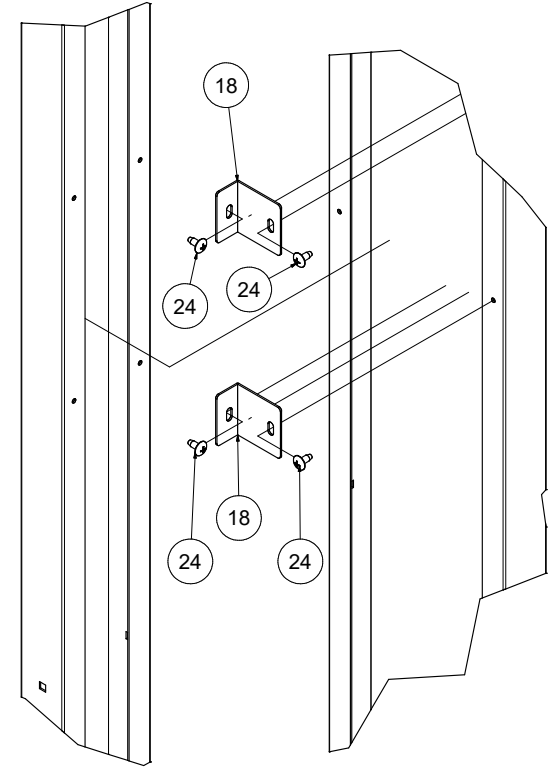


In the event of a T-Wall joint:

When a wall is not joined at a corner, a joiner bracket (item 18) will be used.

To install, fasten each bracket as shown in detail E using the supplied #12 x 1/2" tapping screws to the columns of each wall. Tighten using the #2 Phillips head screwdriver.

Note: 4 brackets are used to join each column.

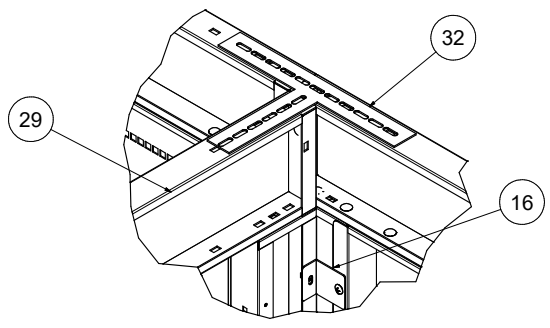
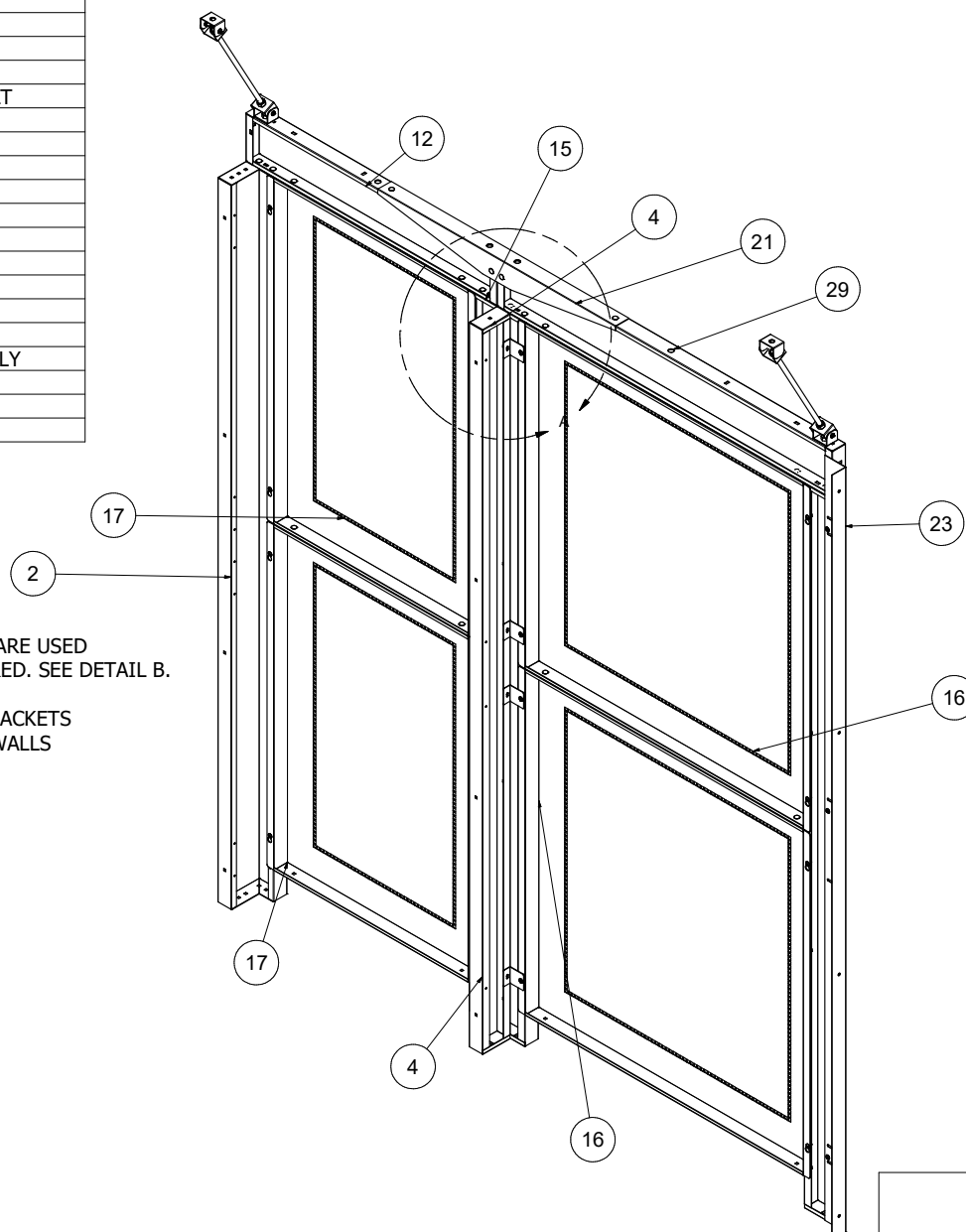


DETAIL E
SCALE 1/2

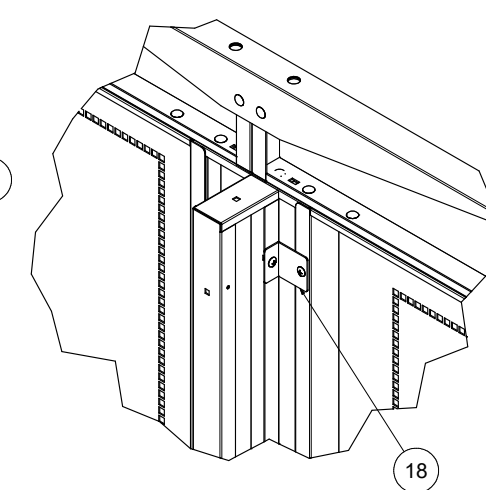
R.F.MOTE LTD ENGINEERED SYSTEMS		214 NEWKIRK RD. RICHMOND HILL, ONTARIO L4C 3G7 PHONE (905) 884-5250 FAX (905) 737-5188	
		PROJECT GENERIC CAGE CONTAINMENT	
DESCRIPTION GENERIC ASSEMBLY			
BY Barrie	DATE 09-May-14	SCALE	DWG. NO. RFM-CC-S W C Render
MAT'L	BLANK	TAPE	REV 01
			SHEET 6 OF 8

8 | 7 | 6 | 5 | 4 | 3 | 2 | 1

PARTS LIST		
ITEM	QTY	PART NUMBER
2	1	RFM-CC-CP-90
4	2	RFM-CC-JC-4-90
9		1/4-20 x 3/4 CARRIAGE BOLT
10		1/4-20 KEPS NUT
12	1	RFM-CC-J-6-36
15	1	RFM-CC-JC-8-90
16	2	RFM-CC-WP-4043
17	2	RFM-CC-WP-2843
18	4	RFM-CC-TOP-TEE KIT
21	1	RFM-CC-JB-36
22		5/16 Flat Washer
23	1	RFM-CC-WB-90
24		#12 X 1/2 TAPPING SCREW
27	2	RFM-CC-ROOF BRK-ASSEMBLY
29	2	RFM-CC-J-6-48
30	1	1/2-13 x 3/4 Hex Bolt
31	1	1/2-13 Hex Nut



DETAIL B
SCALE 1 / 3



DETAIL A
SCALE 1/3

NOTE: RFM-CC-TOP-TEE KIT (ITEM 18) ARE USED ONLY WHEN A T-WALL IS REQUIRED. SEE DETAIL B.

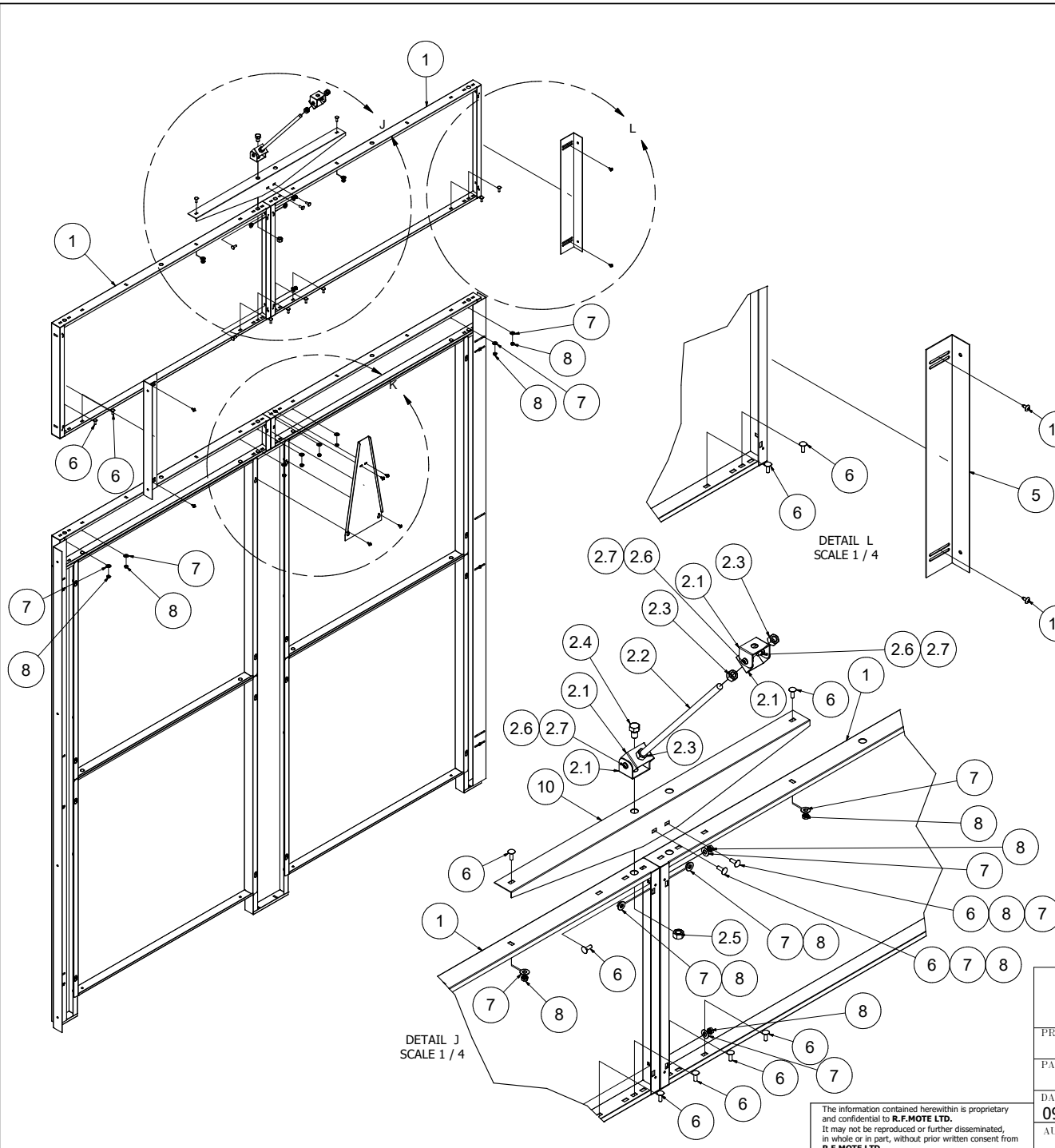
ENSURE COLUMNS AND WALL BRACKETS ARE SECURED TO FLOORS AND WALLS WITH SUITABLE FASTENERS SUPPLIED BY OTHERS

D
C
B
A

D
C
B
A

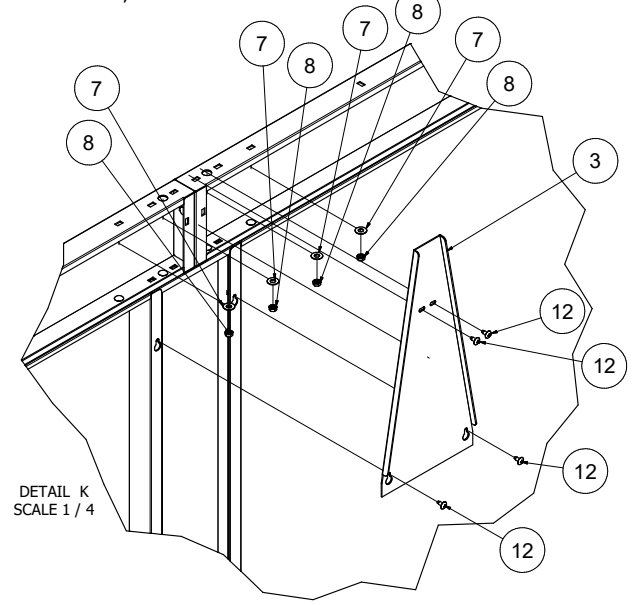
8 | 7 | 6 | 5 | 4 | 3 | 2 | 1

R.F.MOTE LTD ENGINEERED SYSTEMS					214 NEWKIRK RD. RICHMOND HILL, ONTARIO L4C 3G7 PHONE (905) 884-5250 FAX (905) 737-5188
PROJECT					GENERIC CAGE CONTAINMENT
DESCRIPTION					GENERIC ASSEMBLY
BY	DATE	SCALE	DWG. NO.	REV	
Barrie	09-May-14		RFM-CC-S W C Render	01	
MAT'L	BLANK	TAPE	SHEET 7 OF 8		



PARTS LIST			
ITEM	QTY	PART NUMBER	COMMENTS
1	2	RFM-CC-TP-XXXX	
2	1	RFM-CC-ROOF BRK-ASSEMBLY	
2.1	4	RFM-CC-ROOF BRK	
2.2	1	ROD	SUPPLIED BY CUSTOMER
2.3	4	NUT FOR ROD	SUPPLIED BY CUSTOMER
2.4	1	1/2-13 x 3/4 Hex Bolt	
2.6	4	1/4-20 Keps Nut	
2.7	4	1/4-20 x 3/4 Round Comb. MS	
3	1	RFM-CC-TP-STIFF	
4	2	RFM-CC-WB-90	
5	2	RFM-CC-WB-22	
6	11	1/4-20 x 3/4 Carriage Bolt	
7	11	5/16 Flat Washer	
8	11	1/4-20 Keps Nut	
10	1	RFM-CC-JB-36	
12	14	#12 X 1/2 TAPPING SCREW	
2.5	1	1/2-13 Hex Nut	

*** LOWER WALL BRACKETS, COLUMNS AND LOWER PANEL WITH HARDWARE NOT PART OF BOM. ONLY SHOWING HOW TO ASSEMBLY THE UPPER PANELS AND THE STIFF, FOR THE UPPER PANELS.



R.F.MOTE LTD
ENGINEERED SYSTEMS
214 NEWKIRK RD.
RICHMOND HILL, ONTARIO
L4C 3G7
PHONE (905) 884-5250
FAX (905) 737-5188

PROJECT				GENERIC CAGE CONTAINMENT			
PART NUMBER				GENERIC ASSEMBLY			
DATE	SCALE	WEIGHT	REV				
09-May-14	1 / 8	N/A	01				
AUTHOR				SHEET 8 OF 8			
Barrie							

The information contained herein is proprietary and confidential to R.F.MOTE LTD. It may not be reproduced or further disseminated, in whole or in part, without prior written consent from R.F.MOTE LTD.