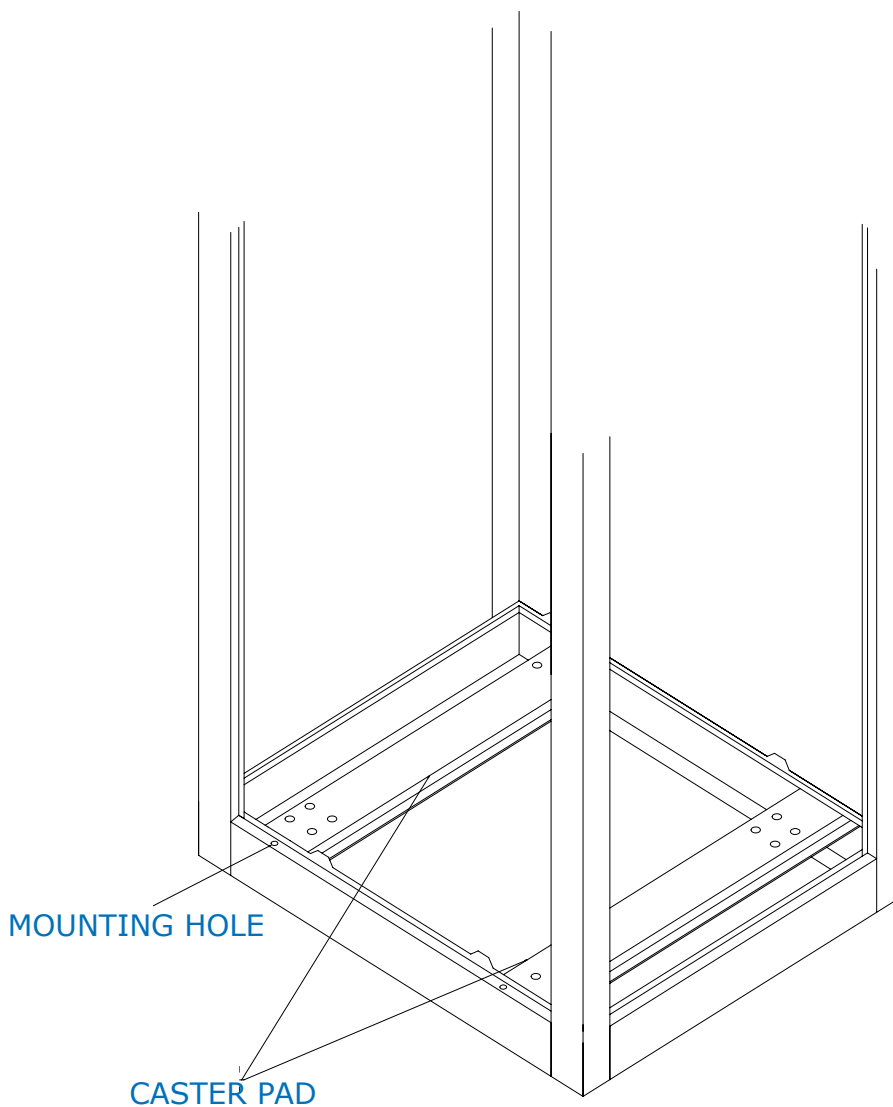


CASTER PAD INSTALLATION INSTRUCTIONS: RFM-3C-B-30 (RFM SERIES 30 CABINETS) RFM-3C-B-24 (RFM SERIES 24 CABINETS)



Step 1:
If equipped, remove side panels from cabinet

Step 2:
Note: there are 2 mounting holes in the cabinet base flange which the side panels sit on. (See diagram)

Step 3:
Note: there are 2 mounting holes in each caster pad, each with a nut attached on the underside.

Step 4:
With the attached nut facing the underside, position the caster pad under the flange in the base of the cabinet and line up the mounting holes. (see diagram)

Step 5:
Ensure the hole in the cabinet base flange and the nut on the bottom of the caster pad are aligned, and fasten using the supplied screw.

Step 6:
Repeat, from step 4, with remaining holes until caster pads are secured to cabinet.