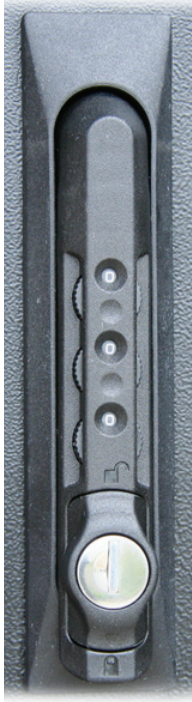


1155 Combination Handle - Reset Instructions

Important: If a "New Combination" is being re-programmed (i.e., the combination has already been set previously) the current combination must be known before it can be changed! Using the default "0-0-0" combination will not work.

Starting Position:

Swing Handle "Arrow" is down in the "Locked Position." Default Combination Numbers are set at "0-0-0" (or set to current programmed combination) The Swing Handle is designed not turn without the correct combination pre-set on the handle wheels.

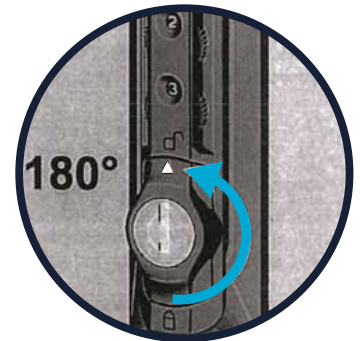


Testing the Swing Handle:

The built-in Swing Handle is used for the combination lock exclusively.

Turn the Swing Handle counterclockwise so the arrow point is up and in "Open Lock" position.

The Swing Handle is now released from the escutcheon and it can be turned to open door.

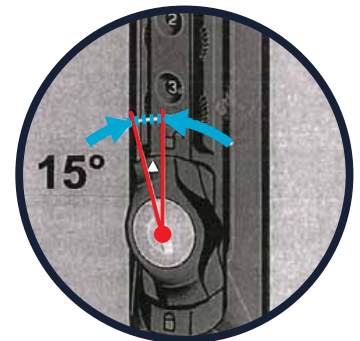


Setting a "New Combination":

From the "Arrow Up"/open position continue the counterclockwise rotation an additional 15 degrees. Starting at the top wheel set the desired new numbers.

Upon the new digit input, return the Swing Handle, via a "clockwise movement", to the "arrow down" locked position.

It is in this "arrow down" locked position that the "combination" can be "Scrambled or Entered"



Using the Key - Override:

With the Swing Handle in the "arrow down" locked position, insert key, turn the "cylinder 180 degrees, and this will release the Swing Handle from the escutcheon.

To re-lock, cradle swing handle, turn the cylinder 180 degrees and remove key.

