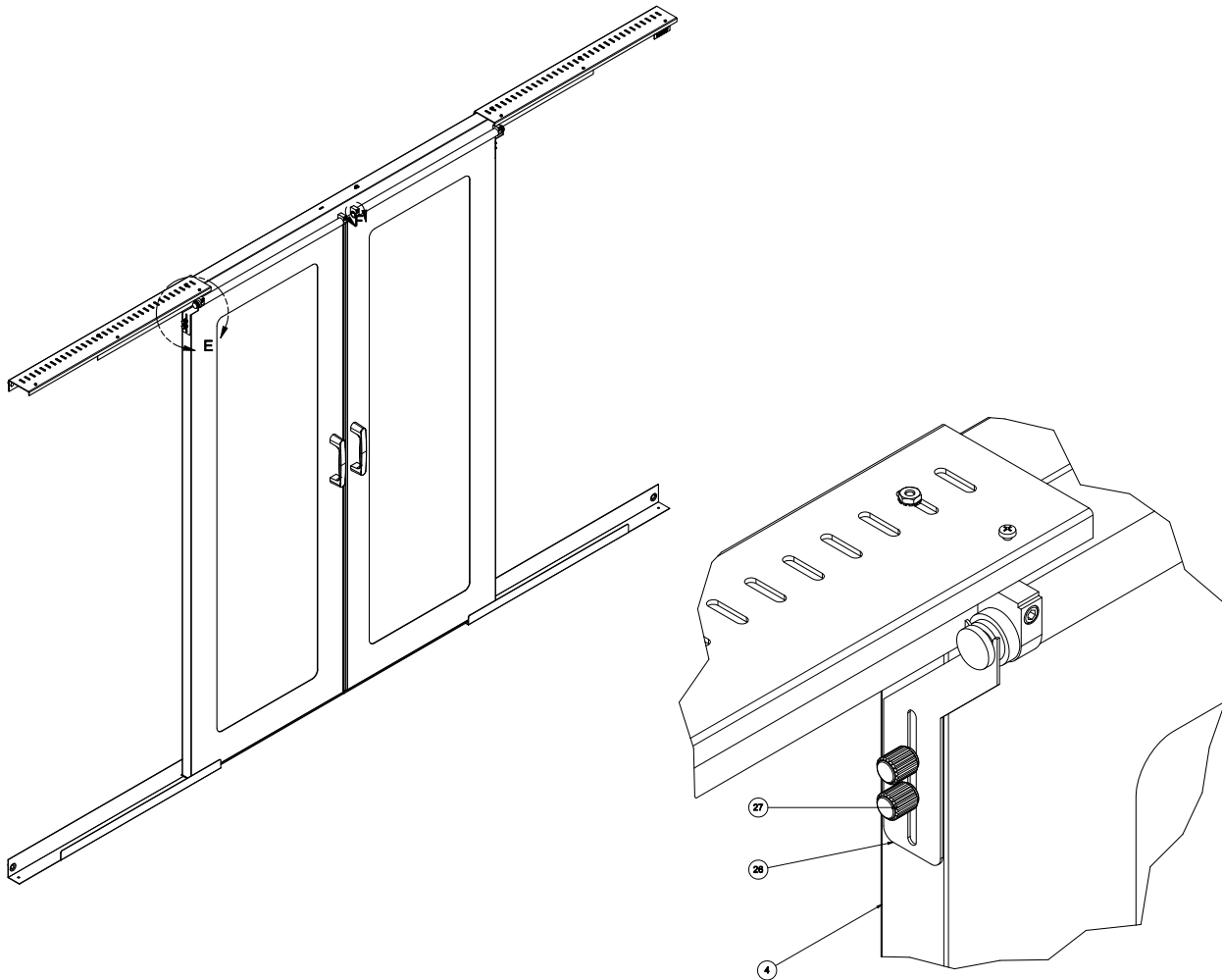


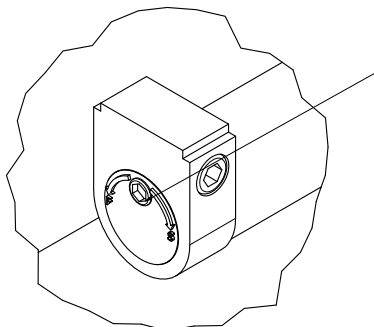
RFM-ERCDSD-xx: Auto Close Bracket - Install and Adjustment



DETAIL E
SCALE 1

Attach the auto-close bracket (item 26) to the door using the supplied #10-32 thumb knobs (item 27). Slide the bracket up until it slides in the slot in the door closer (as shown in detail E). Hand tighten the knobs.

Note: this bracket can be loosened at any point and disengaged from the door closer if you want to have manual function of the doors.



DETAIL F
SCALE 2

There is an adjustment screw on the end of the door closer (as shown in detail F). Using an Allen wrench, turn the screw to adjust door tension and closing speed, to ensure smooth door function.