

## MOUNTING INSTRUCTIONS: WALL MOUNT CABINET & WALL MOUNT CABINET WITH 6" EXTENDER

**RFM-3022-WM-20**

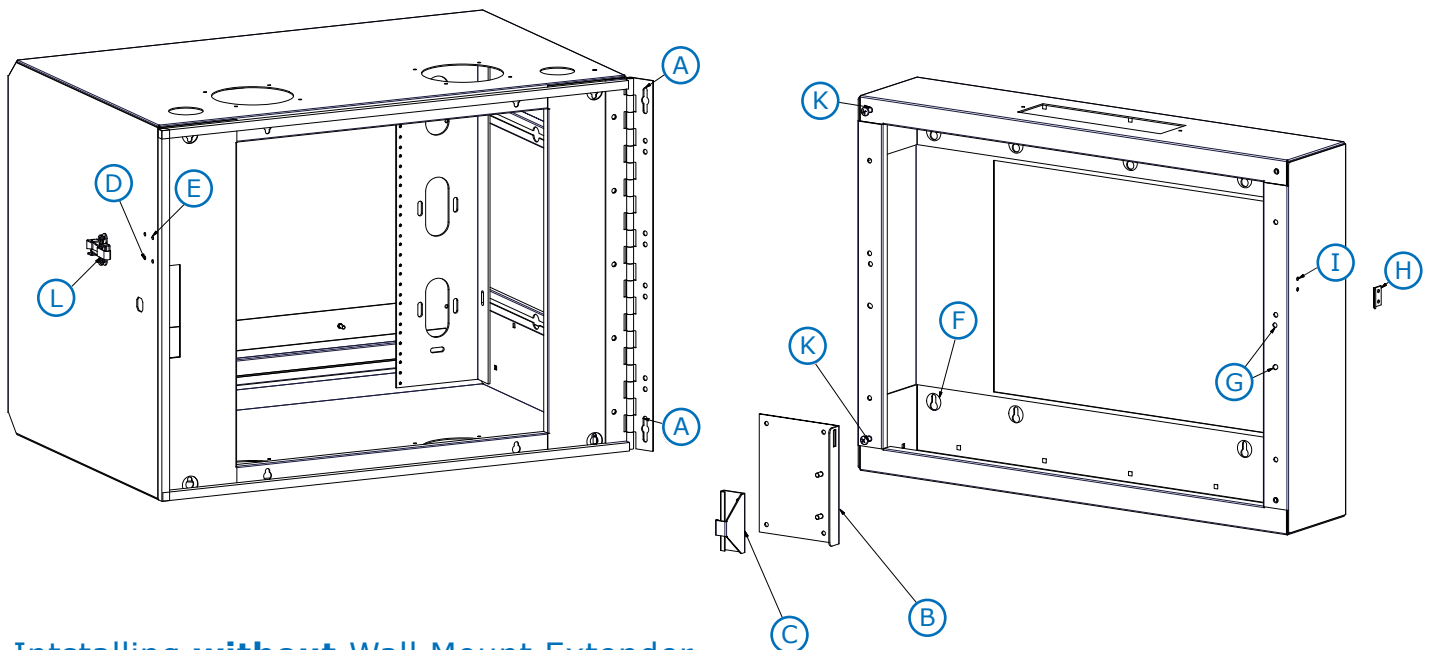
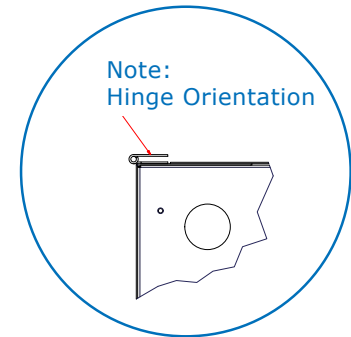
**RFM-3036-WM-20**

**RFM-3048-WM-20**

**RFM-3022-WM-6X**

**RFM-3036-WM-6X**

**RFM-3048-WM-6X**



### Intstalling **without** Wall Mount Extender

- 1) Use supplied hinge as template to mark wall in desired installation location
- 2) Install minimum #12 screw into marked location 'A' holes; leaving 3/8" protrusion
- 3) Install cabinet onto protruding screws and tighten to wall securely
- 4) Install screws into remaining hinge holes and tighten securely
- 5) Fasten draw latch 'L' to cabinet in 'D' hole location using provided hardware
- 6) Fasten bracket 'C' to bracket 'B' with provided hardware.
- 7) Locate bracket 'B' on wall and fasten using suitable fasteners

### Intstalling **with** Wall Mount Extender

- 1) Using 6" extender as template mark wall using hole 'F' in desired installation location  
(note: use minimum of 4 corner 'F' hole mounting locations)
- 2) Tighten 6" extender to wall securely
- 3) Mount bracket 'C' to 'G' holes with provided hardware
- 4) Install 1/4-20 x 3/4" screws into 'K' holes leaving 3/8" protruding
- 5) Install cabinet onto protruding screws utilizing tear drop holes and tighten securely
- 6) Install remaining 1/4-20 x 3/4" screws & keps nuts and tighten securely
- 7) Fasten draw latch 'L' to cabinet in 'E' hole location using provided hardware
- 8) Fasten keeper 'H' to 'I' holes