

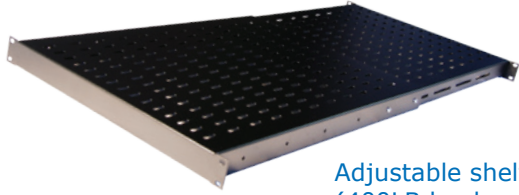
CABINET SHELF: 4 POINT MOUNTING Adjustable, Fixed, and Retractable

Features:

- Heavy gauge steel
- 19" Rack mount shelf fits RFM Series Cabinets, RFM Fortress cabinets, as well as RFM Four-Post Racks
- 4-point rack mounting
- In cabinets, bolts to EIA mounting rails in front and rear
- Perforated for ventilation, mounting servers, cable ties, and accessories
- Durable textured powder coated finish
- Standard colour is all black

Highlights:

- This cabinet style shelving requires 4 mounting rails for installation purposes
- All CFS-4 series shelves feature adjustable mounting depth
- All CRS-4 series shelves features heavy duty full extension drawer slides



Adjustable shelf depth
(400LB load capacity)



Adjustable mount depth
(200LB load capacity)

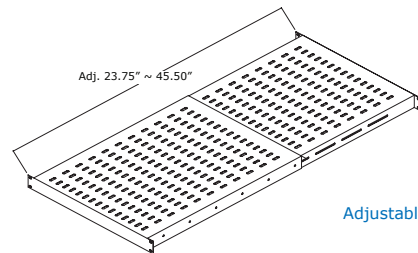


Retractable / sliding
Adjustable mount depth
(100LB load capacity)

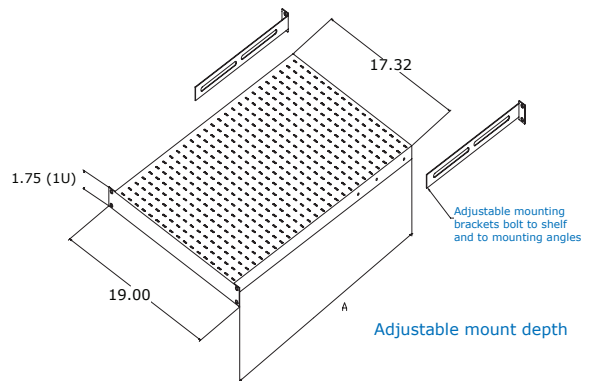
Adjustable shelf depth - fixed series - 400LB load capacity		
PART NUMBER	OVERALL ADJUSTABLE MOUNTING DEPTH	# of U's
RFM-2440-CFS-4	23.75" ~ 45.50"	1U

Adjustable mounting depth - fixed series - 200LB load capacity			
PART NUMBER	SHELF DEPTH (A)	OVERALL ADJUSTABLE MOUNTING DEPTH	# of U's
RFM-1726-CFS-4	26.00	6.00" ~ 33.475"	1U
RFM-1719-CFS-4	19.00	6.00" ~ 26.625"	1U
RFM-1716-CFS-4 (NOTE: NON-VENTED)	16.00	6.00" ~ 23.625"	1U

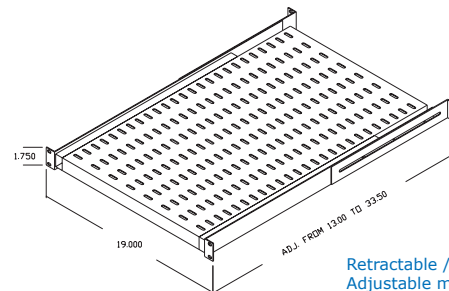
Adjustable mount depth - retractable series - 100LB load capacity			
PART NUMBER	SHELF DEPTH	OVERALL ADJUSTABLE MOUNTING DEPTH	# of U's
RFM-1726-CRS-4-1U	26.00	13.00" ~ 33.35"	1U



Adjustable shelf depth



Adjustable mount depth



Retractable / sliding
Adjustable mount depth