

OVERHEAD CABLE TROUGH FOR CABINETS



Horizontal cable trough
(trough, joiner, and end cap - assembled)

Features:

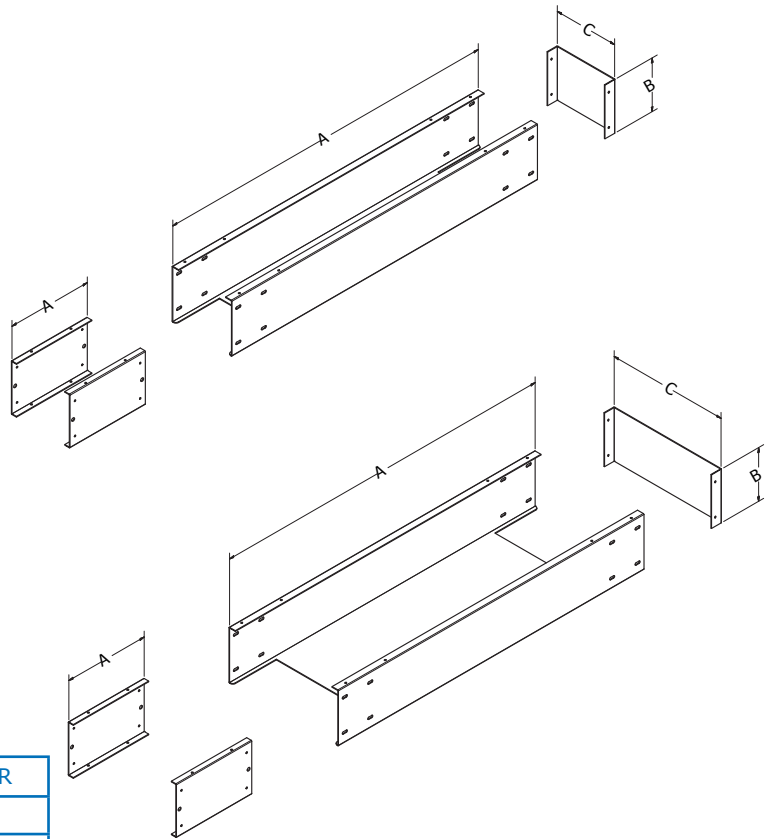
- Manage cables across the top of any R.F. Mote cabinet
- Modular design for easy adds and moves
- Durable textured powder coated finish
- Standard colour is all black

Highlights:

- Easy to assemble and install
- Heavy gauge steel



Horizontal cable trough - high density
(trough, joiner and end cap)



Horizontal cable trough

PART NUMBER	A	B	C	PART FITS ALL OUR
RFM-HCT-30	30.00	4.75	5.88	30"W CABINETS
RFM-HCT-24	23.85	4.75	5.88	24"W CABINETS
RFM-HCTE-C-5	n/a	4.56	5.63	TROUGHS (END CAP)
RFM-HCT-J-5	7.40	4.50	n/a	TROUGHS (JOINER)

Horizontal cable trough - High density

PART NUMBER	A	B	C	PART FITS ALL OUR
RFM-HCT-30-10	30.00	4.75	10.75	30"W CABS.: 30" ~ 48" DEPTH
RFM-HCT-24-10	23.85	4.75	10.75	24"W CABS.: 30" ~ 48" DEPTH
RFM-HCTE-C-10	n/a	4.56	10.63	TROUGHS (END CAP)
RFM-HCT-J-5	7.40	4.50	n/a	TROUGHS (JOINER)