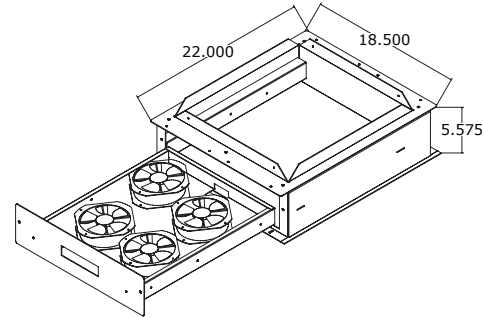


## EXHAUST FANS: HIGH VOLUME EXHAUST UNIT

Features:



- High volume exhaust removes warm air from cabinet
- 2-Fan or 4-Fan deployment
- Mounts on top of cabinet
- May be deployed with or without any R.F.Mote cooling fan option
- Durable black textured powder coated finish
- Fan tray slides out for easy service



FITS WITH ANY...	PART NUMBER	DESCRIPTION
<ul style="list-style-type: none"> <li>• RFM SERIES 30 CABINETS</li> <li>• RFM FORTRESS CABINETS</li> </ul>	RFM-EXFAN-2	HIGH VOLUME EXHAUST UNIT 840 CFM (ATTACHES TO TOP OF CABINET)
	RFM-EXFAN-4	HIGH VOLUME EXHAUST UNIT 1680 CFM (ATTACHES TO TOP OF CABINET)
<ul style="list-style-type: none"> <li>• RFM SERIES 24 CABINETS</li> </ul>	RFM-EXFAN-2-24	HIGH VOLUME EXHAUST UNIT 840 CFM (ATTACHES TO TOP OF CABINET)
	RFM-EXFAN-4-24	HIGH VOLUME EXHAUST UNIT 1680 CFM (ATTACHES TO TOP OF CABINET)

## EXHAUST FANS: COLD AIR DISTRIBUTION

Features:



- Directs cold air from under cabinet, up to the front of cabinet
- Mounts on bottom of cabinet
- Requires 4U space
- 2 Fans (@ 420CFM each unit)
- Durable black textured powder coated finish

FITS WITH ANY...	PART NUMBER	DESCRIPTION
<ul style="list-style-type: none"> <li>• RFM SERIES CABINETS</li> <li>• RFM FORTRESS CABINETS</li> </ul>	RFM-FT900	COLD AIR DISTRIBUTION UNIT 840 CFM (ATTACHES TO BOTTOM OF CABINET, REQUIRES 4U OF SPACE)