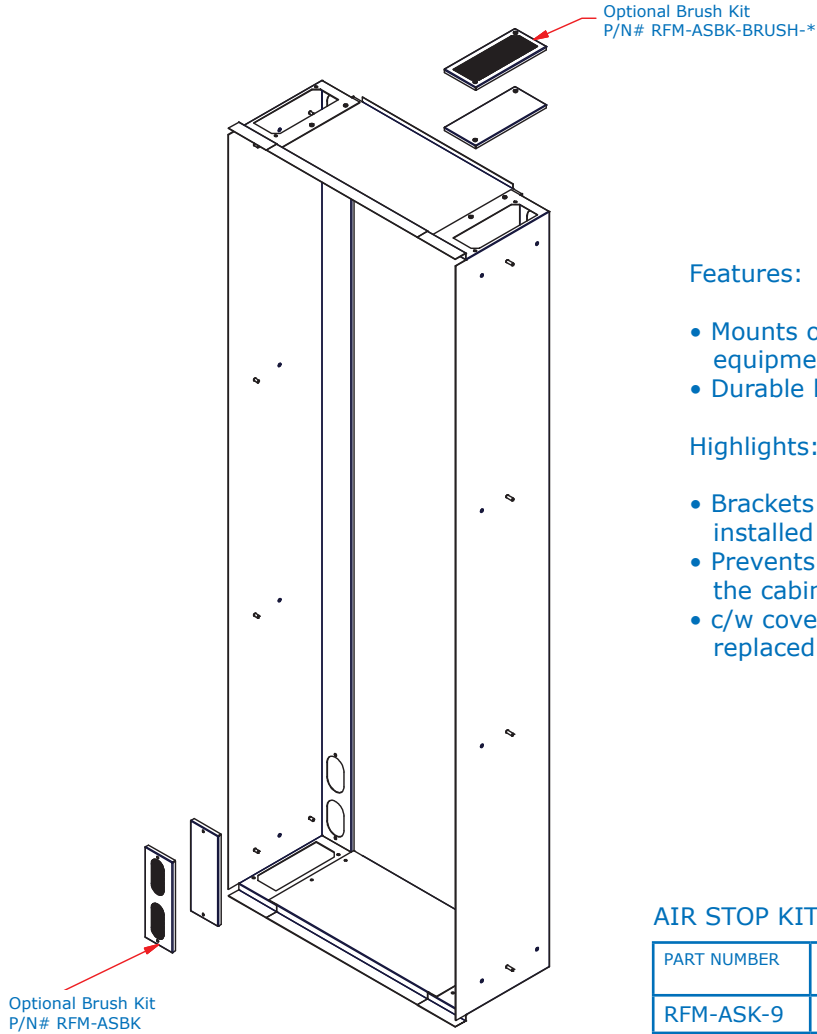


AIRSTOP KITS for RFM SERIES 30 CABINETS

Equipped with Vertical Cable Managers at Front



Features:

- Mounts on cabinet cross members (in front of equipment mounting angles)
- Durable black textured powder coated finish

Highlights:

- Brackets prevent air from circulating around installed mounting angles and cable managers
- Prevents warm and cold air mixing within the cabinet which increases cooling efficiency
- c/w cover plates (8x) which can easily be replaced with optional Brush Kits

AIR STOP KIT - FOR RFM SERIES 30 CABINETS

PART NUMBER	FITS RFM SERIES CABINET SIZE	FITS WITH RFM VCM P/N#
RFM-ASK-9	30.00"W x 83.00"H	RFM-983-VCM-A (cat.pg 1.5.3)
RFM-ASK-5	30.00"W x 83.00"H	RFM-583-VCM (cat.pg 1.5.3)
RFM-ASK-5	30.00"W x 83.00"H	RFM-583-VCM-FND (cat.pg 1.5.9)
RFM-ASK-7	30.00"W x 83.00"H	RFM-783-VCM-FND (cat.pg 1.5.9)

OPTIONAL BRUSH KIT

PART NUMBER	FITS WITH:
RFM-ASBK	RFM-ASK-x
RFM-ASBK-BRUSH-9	RFM-ASK-9
RFM-ASBK-BRUSH-5	RFM-ASK-5
RFM-ASBK-BRUSH-7	RFM-ASK-7