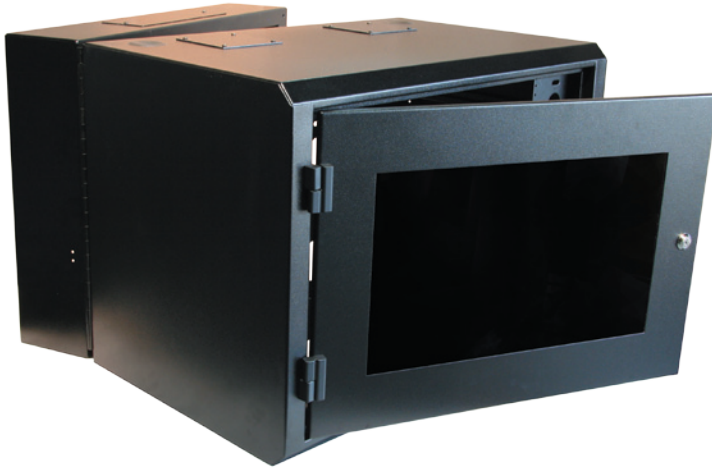


30" WIDE WALL MOUNT CABINETS



R. F. Mote Wall Mount Cabinets are available in various sizes and all c/w lockable, smoked acrylic¹ front door and one pair of adjustable 19" EIA mounting rails.

Standard Features:

- Heavy gauge steel
- All welded construction
- Static Load capacity: up to 300LBS
- 30"(W) x 20"(D) footprint
- Provisions for fans and cable access
- Lockable, smoked acrylic¹ front door
- 1 Pair of mounting rails, 19" EIA spacing, tapped #10-32
- Unit accommodates equipment up to 18" Deep
(with extender, usable depth increases to 24" Deep)
- Open back style for quick access to installed equipment
- Units are hinged and are field reversible and pivot off the wall to allow easy access to the rear of the cabinet
- Optional extender bracket adds 6" to cabinet depth and c/w multiple cable access holes
- Durable textured powder coated finish
- Standard colour is all black
- Additional mounting rails available
- Optional perforated door available

WALLMOUNT CABINET

PART NUMBER	A	B	C	#of U's
RFM-3022-WM-20	30.00	20.00	22.25	10U
RFM-3036-WM-20	30.00	20.00	36.25	18U
RFM-3048-WM-20	30.00	20.00	48.00	25U

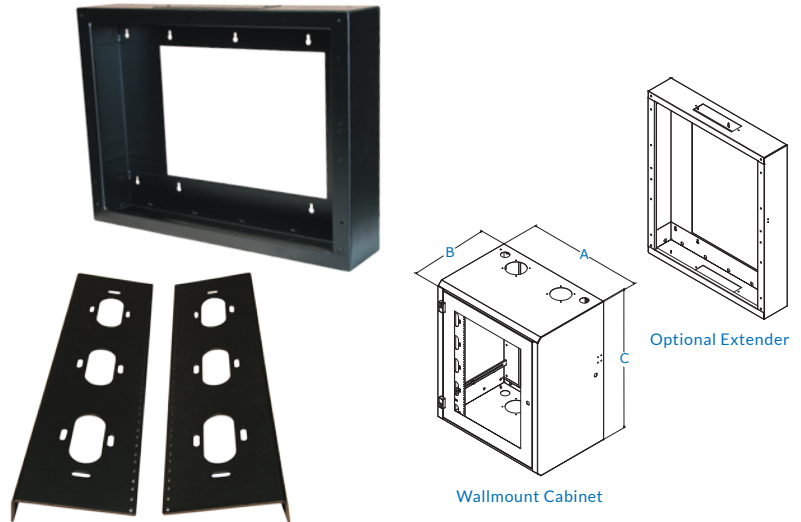
6" CABINET EXTENDER

PART NUMBER		WALLMOUNT CABINET
RFM-3022-WM-6X	Fits with...	RFM-3022-WM-20
RFM-3036-WM-6X	Fits with...	RFM-3036-WM-20
RFM-3048-WM-6X	Fits with...	RFM-3048-WM-20

MOUNTING RAILS

PART NUMBER		WALLMOUNT CABINET
RFM-3022-WM-MA	Fits with...	RFM-3022-WM-20
RFM-3036-WM-MA	Fits with...	RFM-3036-WM-20
RFM-3048-WM-MA	Fits with...	RFM-3048-WM-20

¹ inserts are UL 94 Fire Rated



VERTICAL CABLE MANAGER FOR WALL MOUNT CABINETS



Features:

- Heavy gauge steel
- Mounts to front of 30" wide R. F. Mote Wall Mount Cabinet mounting angle
- Durable textured powder coated finish
- Standard colour is all black

PART NUMBER	A	B	C	Fits with...
RFM-322-VCM	21.00	4.25	3.03	RFM-3022-WM-20
RFM-336-VCM	35.00	4.25	3.03	RFM-3036-WM-20
RFM-348-VCM	47.00	4.25	3.03	RFM-3048-WM-20

