

## WALL MOUNT FIXED RACK: 18U

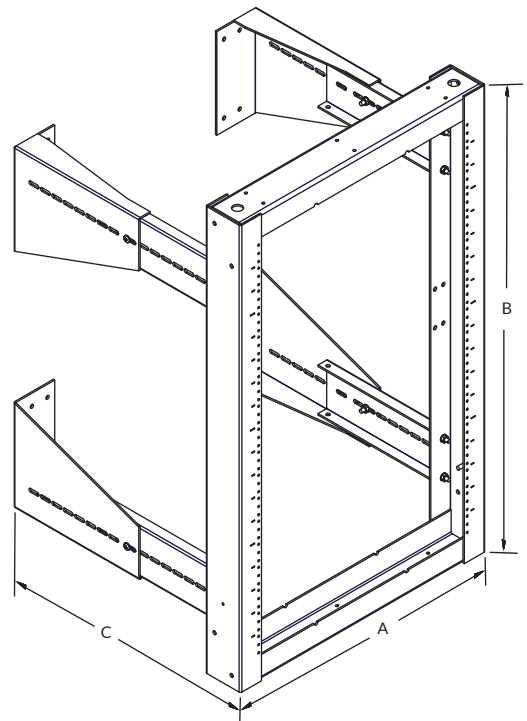


**Features:**

- Heavy gauge steel
- Stamped "U" markings
- Rack tapped #10-32 UNF to EIA Standard pattern
- 19" EIA equipment mounting
- Vertical CMS option (see page 4.1.5)
- Wet painted black to avoid clogged threads

**Highlights:**

- Adjustable depth: 14.00" To 21.00"



PART NUMBER	A	B	C (ADJUSTABLE)	# of U's
RFM-1918-RWF-ADJ	21.50 (19" EIA MOUNT)	35.50	14.00 ~ 21.00	18U