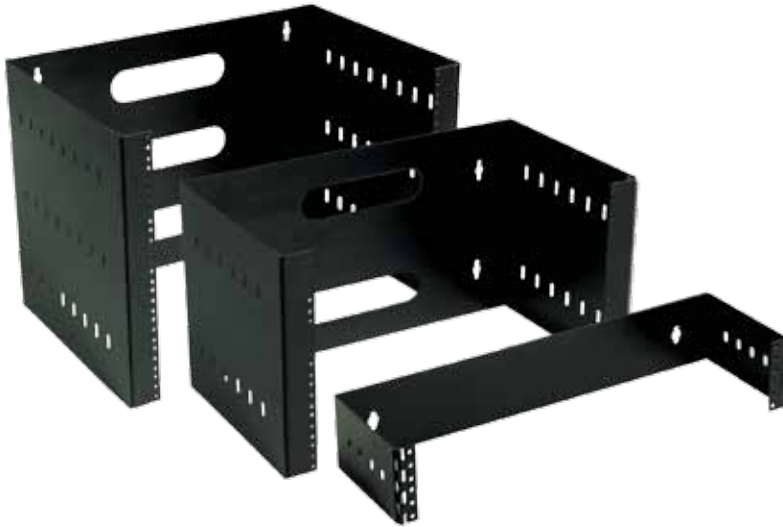


## WALL MOUNT BRACKETS



**Features:**

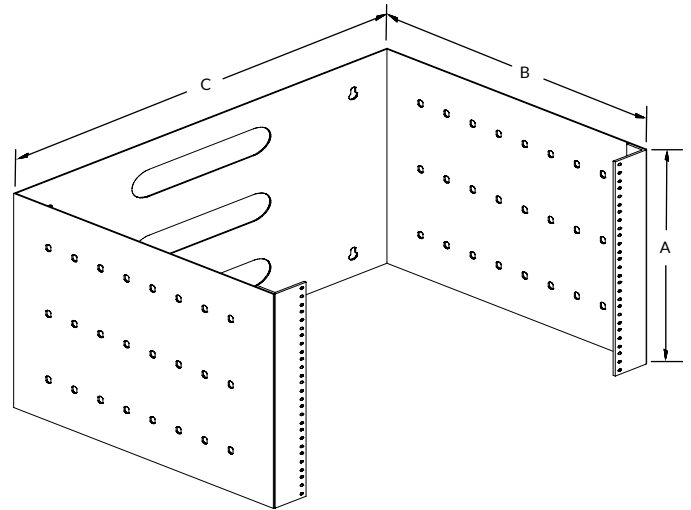
- Heavy gauge steel
- Rails are tapped #10-32 to EIA standard
- Standard 19" mounting
- Cable tie slots provided in side walls
- Durable textured powder coated finish
- Rails are wet painted to avoid clogged threads

**Highlights:**

- Access slots provided in rear face

	PART NUMBER	A	B	C	# of U's
HINGED	RFM-1902-HWMB	3.50	6.00	19.75	2U
HINGED	RFM-1906-HWMB*	10.50	9.00 ~ 15.00	21.50	6U
HINGED	RFM-1906-HWMB-22*	10.50	16.00 ~ 22.00	21.50	6U
HINGED	RFM-1909-HWMB*	15.75	9.00 ~ 15.00	21.50	9U
HINGED	RFM-1911-HWMB-22*	19.25	16.00 ~ 22.00	21.50	11U
NON-HINGED	RFM-1904-WMB	7.00	6.00	21.50	4U
NON-HINGED	RFM-1906-WMB*	10.50	9.00 ~ 15.00	21.50	6U
NON-HINGED	RFM-1906-WMB-22*	10.50	16.00 ~ 22.00	21.50	6U
NON-HINGED	RFM-1909-WMB*	15.75	9.00 ~ 15.00	21.50	9U
NON-HINGED	RFM-1911-WMB-22*	19.25	16.00 ~ 22.00	21.50	11U

\* Adjustable depth



## WALL OR CEILING MOUNT BRACKETS



**Features:**

- Heavy gauge steel
- Mounting holes tapped #10-32 to EIA standard
- Standard 19" mounting

**Highlights:**

- Mounts to ceiling or wall

PART NUMBER	A	B	C	# of U's
RFM-CMPB-6U-12	19.50	6.00	12.00	6U
RFM-CMPB-4U-7	19.50	6.00	7.125	4U
RFM-CMPB-2U-4	19.50	6.00	4.00	2U

