

RACK MOUNT SECURITY DOOR



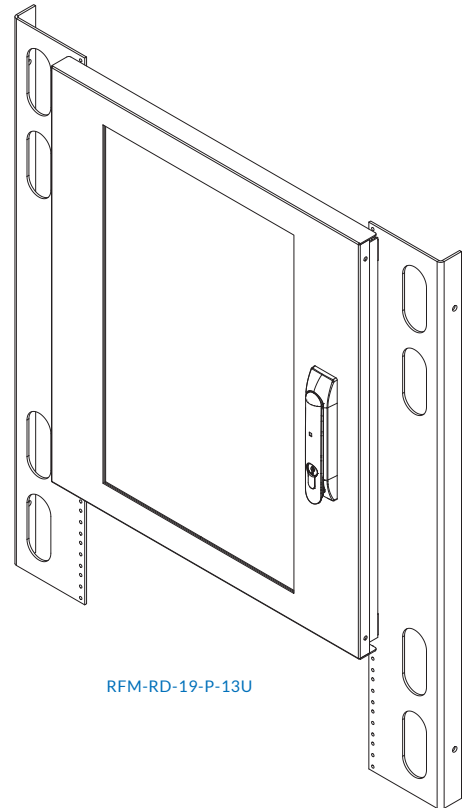
Features:

- Heavy gauge steel
- Designed for use with all R.F.Mote 19" EIA Racks *and* Cabinets
- 23" EIA available on request
- Economical solution to secure space or devices within Rack or Cabinet
- Zero-U Mounting Brackets install over existing equipment
- Comes equipped with standard swing handle lock
- Swing handle options include:
 - Combination Lock
 - Padlock Handle
 - Electronic Locks

Highlights:

- Available Perforated or with Smoked Acrylic inserts

| Part number | Description | # of U's |
|-----------------|----------------|----------|
| RFM-RD-19-1-6U | Smoked Acrylic | 6U |
| RFM-RD-19-1-10U | Smoked Acrylic | 10U |
| RFM-RD-19-1-13U | Smoked Acrylic | 13U |
| RFM-RD-19-P-6U | Perforated | 6U |
| RFM-RD-19-P-10U | Perforated | 10U |
| RFM-RD-19-P-13U | Perforated | 13U |



RFM-RD-19-P-13U

