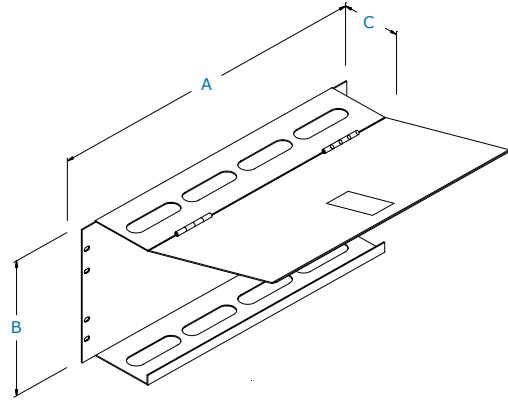


HORIZONTAL CABLE MANAGER



- Heavy gauge steel
- Door latches closed
- Durable black textured powder coated finish
- Custom sizes available on request

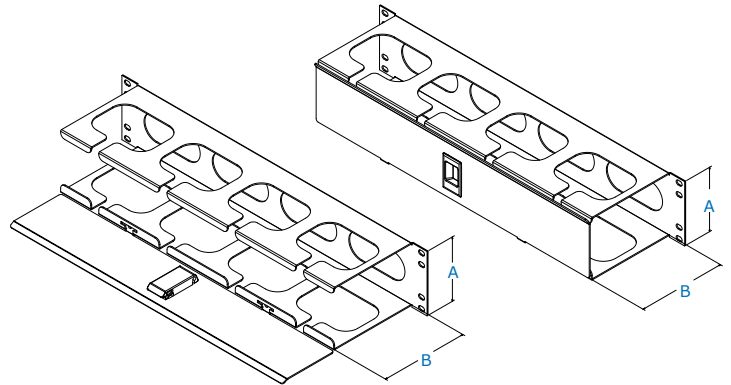


19" EIA Mounting				
Part number	A	B	C	# of U's
RFM-191D-HCM	19.00	1.75	2.40	1U
RFM-192D-HCM-TD	19.00	3.50	2.40	2U
RFM-194D-HCM-TD	19.00	7.00	2.40	4U

HORIZONTAL CABLE MANAGER: EXTRA DEEP



- Heavy gauge steel
- Door latches closed and is removable for ease of cable management
- Extra depth for high density cable management
- Slots cut in front of HCM allow for easy removal / addition of cables
- 2U and 5U model feature removable door
- Durable black textured powder coated finish

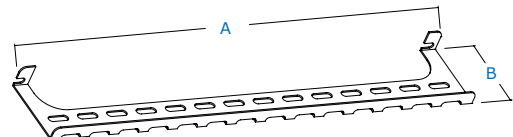


19" EIA Mounting			
Part number	A	B	# of U's
RFM-191D-HCM-D	1.75	5.0	1U
RFM-192D-HCM-D	3.50	5.0	2U

HORIZONTAL CABLE MANAGER: ZERO U



- Zero u horizontal cable manager takes up no rack space, bolts to patch panel or powerbar, etc.
- Provisions for cable ties
- Durable black textured powder coated finish



19" EIA Mounting		
Part number	A	B
RFM-0UHCM-19	19.00	3.00
RFM-0UHCM-19-5	19.00	5.00