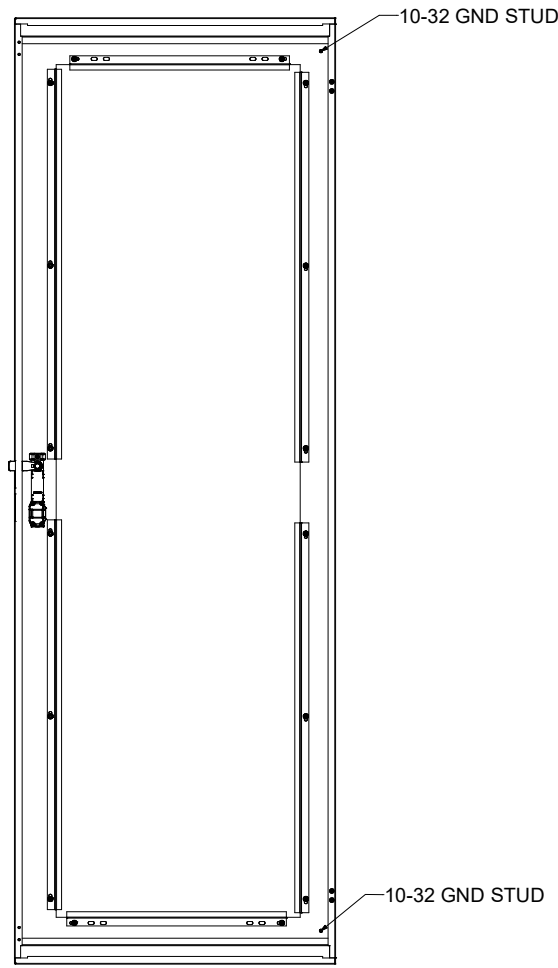
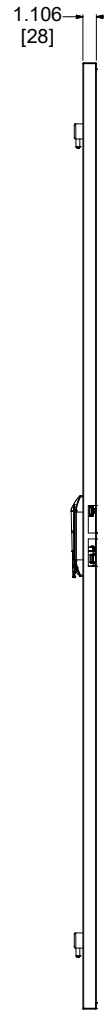
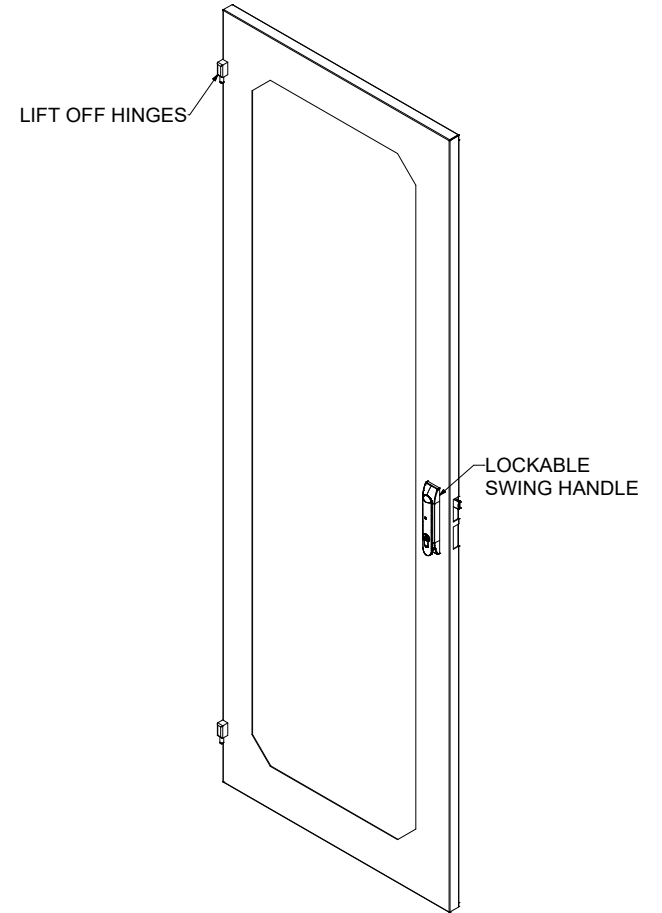


FRONT



BACK



NOTE: ISOMETRIC VIEW IS NOT TO SCALE

R.F.MOTE LTD
ENGINEERED SYSTEMS

PART NUMBER				
RFM-3083-1				
DATE	SCALE	SHEET	WEIGHT	REV
17-Aug-20	.75:1	1 OF 1	35.9 lbmass	00
Please visit www.rfmote.com for more information and specs				

NOTE:
LEFT HAND SWING SHOWN.
RIGHT HAND-OPPOSITE

The information contained herewithin is proprietary and confidential to **R.F.MOTE LTD**. It may not be reproduced or further disseminated, in whole or in part, without prior written consent from **R.F.MOTE LTD**.