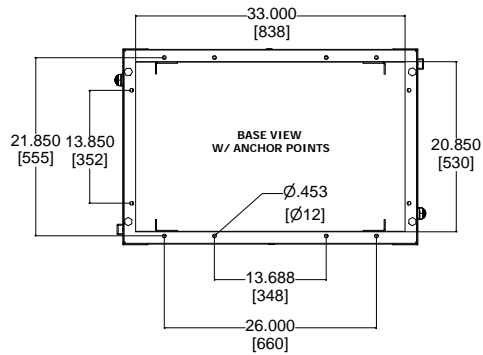


1/4-20 GROUND STUD



- ALL US-19-P CABINETS COME WITH:
- FRONT AND REAR PERFORATED DOOR
 - 2 PAIR OF MOUNTING ANGLES
 - 2 PERFORATED SIDE PANELS
 - 4 X CABLE ACCESS COVER PLATES
 - 24 X 1/4-20 CAGE NUTS AND SCREWS

NOTE: ISOMETRIC VIEW IS NOT TO SCALE

R.F.MOTE LTD
ENGINEERED SYSTEMS

PART NUMBER

RFM-243672-US-19-P

The information contained herewith is proprietary and confidential to R.F.MOTE LTD. It may not be reproduced or further disseminated, in whole or in part, without prior written consent from R.F.MOTE LTD.

| | | | | |
|--------------------|----------------|-----------------|--------------------------|-----------|
| DATE MARCH 9/18 | SCALE 1 : 1 | SHEET 1 OF 1 | WEIGHT 244.973 lbmass | REV 00 |
|--------------------|----------------|-----------------|--------------------------|-----------|