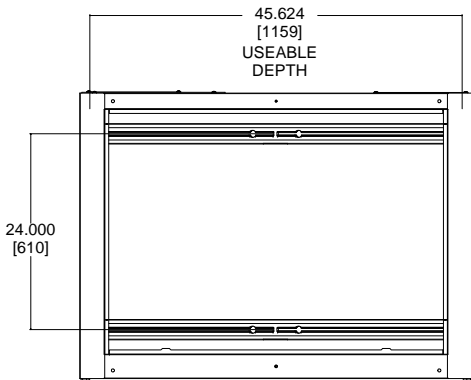
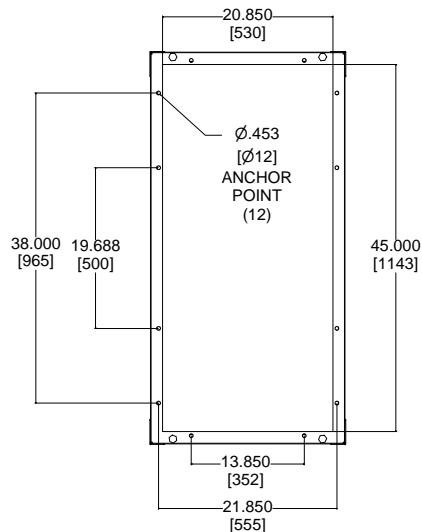
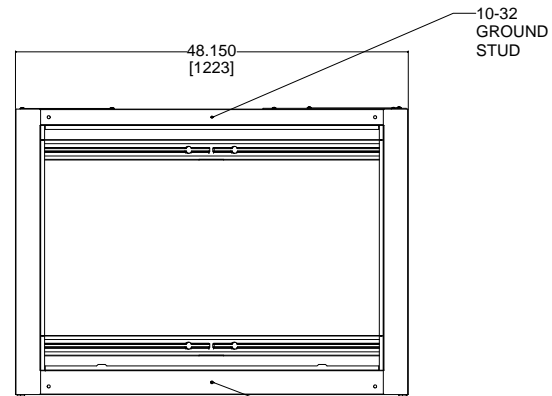
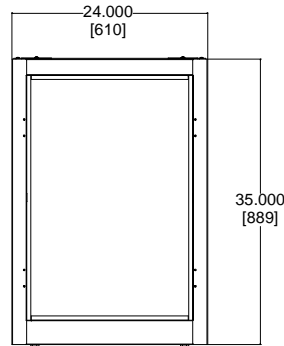


CROSS MEMBER  
DETAIL



LEVELLING  
FEET



NOTE: ISOMETRIC VIEW IS NOT TO SCALE

**R.F.MOTE LTD**  
ENGINEERED SYSTEMS

PART NUMBER

RFM-244835

The information contained herewith is proprietary and confidential to R.F.MOTE LTD. It may not be reproduced or further disseminated, in whole or in part, without prior written consent from R.F.MOTE LTD.

DATE	SCALE	SHEET	WEIGHT	REV
JULY 17/18	1 : 1	1 OF 1	84.904 lbmass	00

Please visit [www.rfmote.com](http://www.rfmote.com) for more information and specs