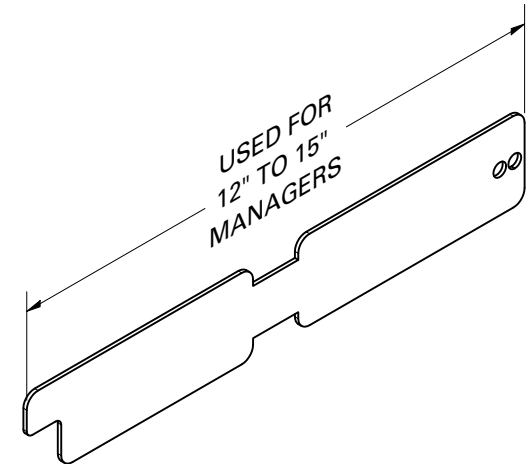
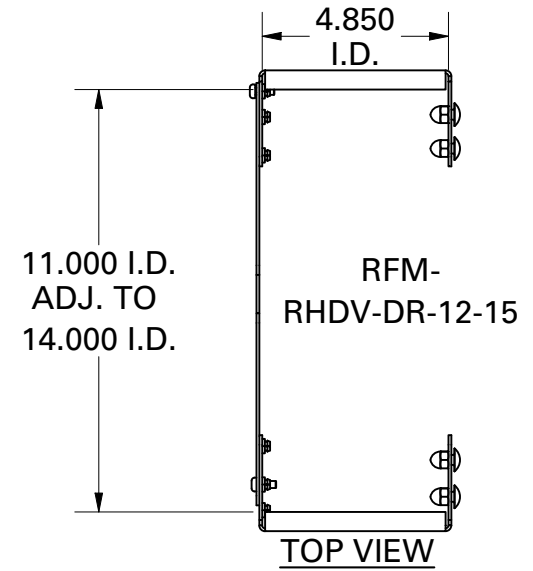
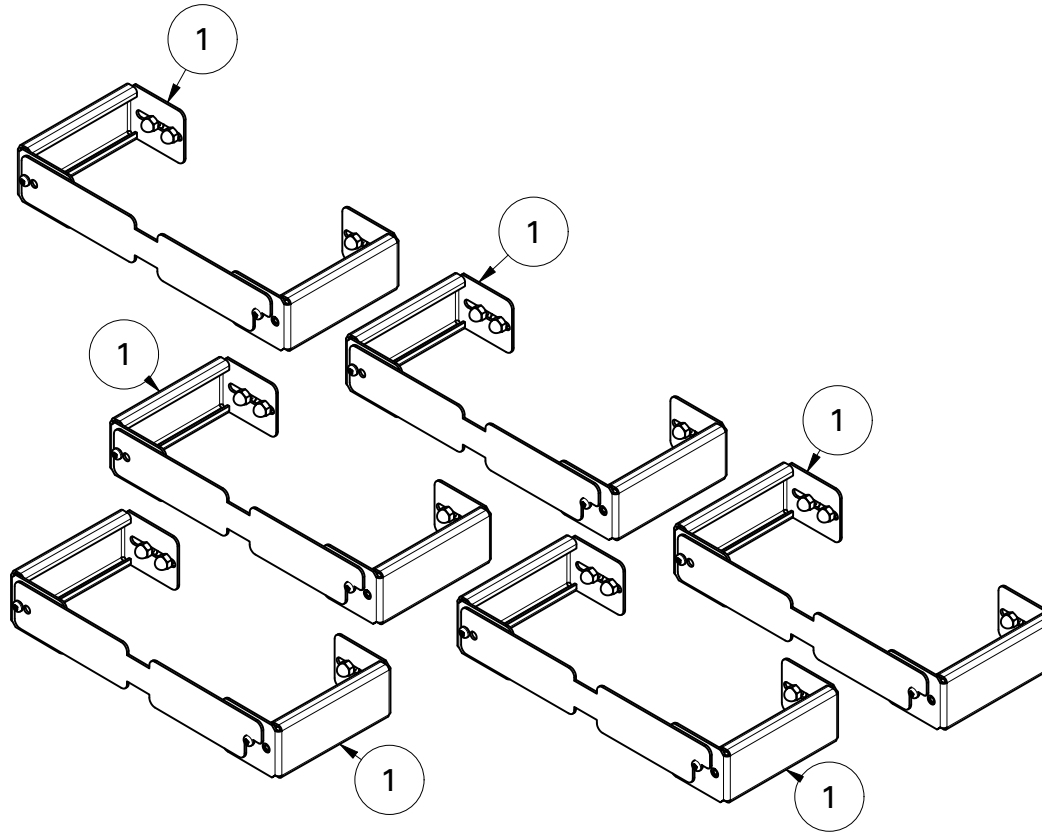


PARTS LIST

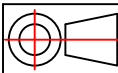
ITEM	QTY	PART NUMBER	REV
1	6	RFM-RHDV-DR-12-15	00



R.F. MOTE

A division of Chatsworth Products

214 NEWKIRK RD.
 RICHMOND HILL, ONTARIO
 L4C 3G7
 PHONE (905) 884-5250
 FAX (905) 737-5188

<p>TOLERANCES</p> <p>FRAC. ± 1/16"</p> <p>ANGLE ± 1.0°</p> <p>HOLES ± 0.003"</p> <p>0.000 ± 0.015"</p>	<p>DESCRIPTION</p> <p>REAR CABLE RING KIT FOR 12" - 15" WIDE MANAGERS, SET OF 6, BLACK</p>	
	<p>PART NUMBER</p> <p>RFM-HDCRK-12-15-B</p>	
 <p>The information contained herewithin is proprietary and confidential to R.F.MOTE LTD. It may not be reproduced or further disseminated, in whole or in part, without prior written consent from R.F.MOTE LTD.</p>	<p>DATE</p> <p>20-Apr-26</p>	<p>MASS</p> <p>9.66 lb</p>
	<p>AUTHOR</p> <p>gillison j</p>	<p>REV</p> <p>00</p>

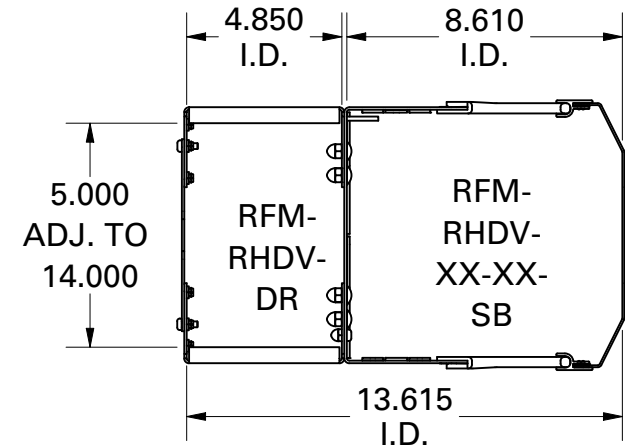
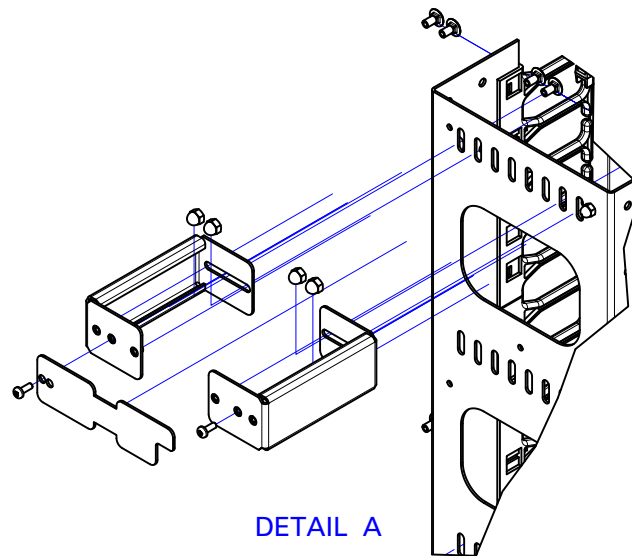
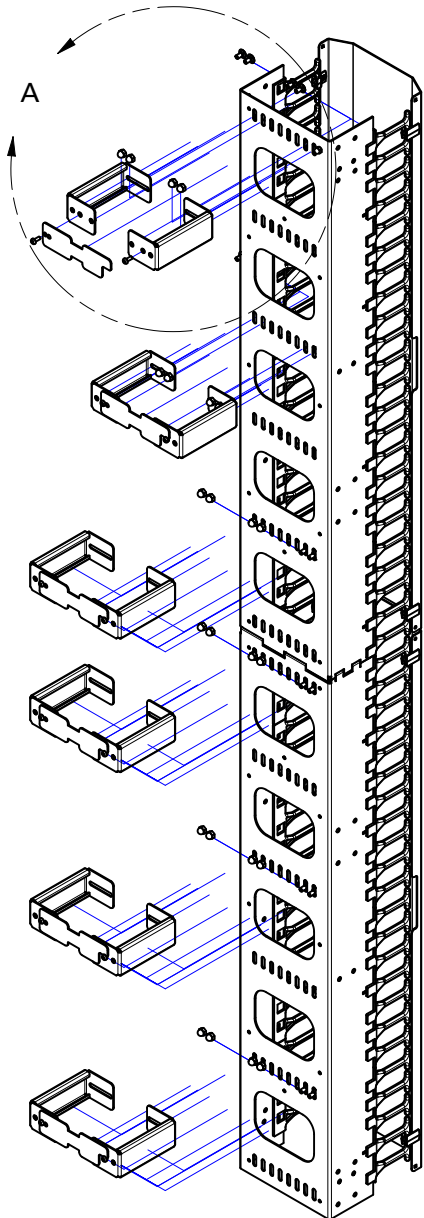
See page 2 for install.

RFM-HDCRK-INSTALLATION

* High density cable ring kits mount to the back of any cable managers (RFM-RHDV-XX-XX-SB) ranging from 6" to 15" max.

RFM-RHDV-DR singles (x6) can be located at any desired location and fasten with the hardware package provided.

1/4" carriage bolts should be inserted from the inside of the cable manager and accepting acorn nuts on the inside of the RHDV-DR (See image for reference)



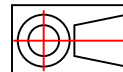
TOP VIEW
CABLE-RING ASSEMBLED
ON RHDV-SB

R.F. MOTE

A division of Chatsworth Products

214 NEWKIRK RD.
RICHMOND HILL, ONTARIO
L4C 3G7
PHONE (905) 884-5250
FAX (905) 737-5188

TOLERANCES
FRAC. ± 1/16"
ANGLE ± 1.0°
HOLES ± 0.003"
0.000 ± 0.015"



The information contained herewithin is proprietary and confidential to R.F.MOTE LTD. It may not be reproduced or further disseminated, in whole or in part, without prior written consent from R.F.MOTE LTD.

DESCRIPTION

PART NUMBER
RFM-HDCRK-12-15-B ASSEMBLY

DATE
20-Apr-26

AUTHOR
gillison i

MASS
24.19 lb

REV
00