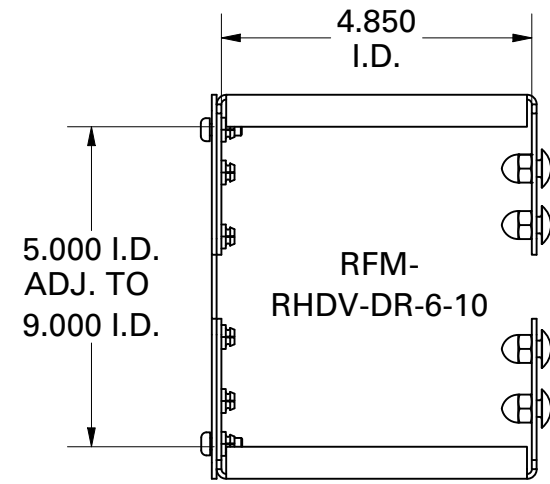
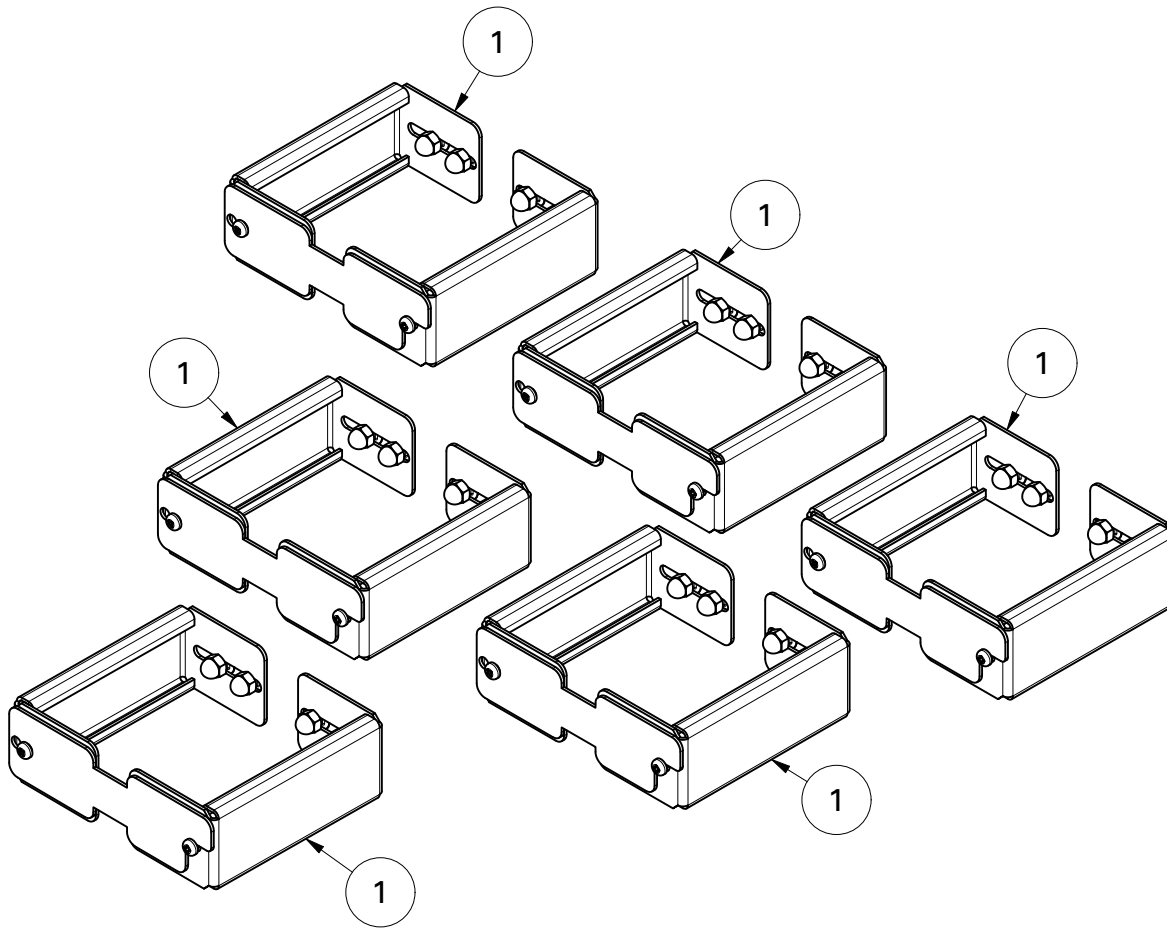
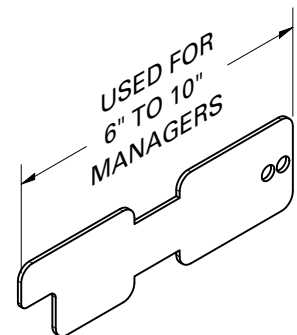


**PARTS LIST**

ITEM	QTY	PART NUMBER	REV
1	6	RFM-RHDV-DR-6-10	00

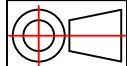


**TOP VIEW**



**R.F. MOTE**  
A division of Chatsworth Products

214 NEWKIRK RD.  
RICHMOND HILL, ONTARIO  
L4C 3G7  
PHONE (905) 884-5250  
FAX (905) 737-5188

<p><b>TOLERANCES</b>                  FRAC. ± 1/16"                  ANGLE ± 1.0°                  HOLES ± 0.003"                  0.000 ± 0.015"</p>	<p><b>DESCRIPTION</b>                  REAR CABLE RING KIT FOR 6" - 10" WIDE MANAGERS,                  SET OF 6, BLACK</p>	
	<p><b>PART NUMBER</b>                  RFM-HDCRK-6-10-B</p>	
 <p>The information contained herewithin is proprietary and confidential to R.F.MOTE LTD. It may not be reproduced or further disseminated, in whole or in part, without prior written consent from R.F.MOTE LTD.</p>	<p><b>DATE</b>                  20-Apr-26</p>	<p><b>MASS</b>                  9.66 lb</p>
	<p><b>AUTHOR</b>                  gillison j</p>	<p><b>REV</b>                  00</p>

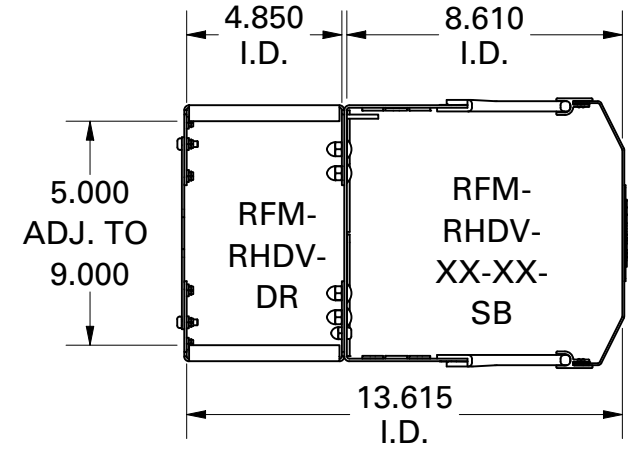
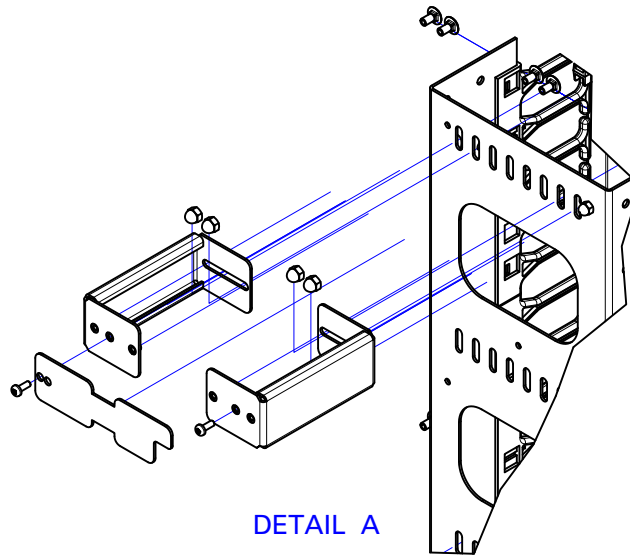
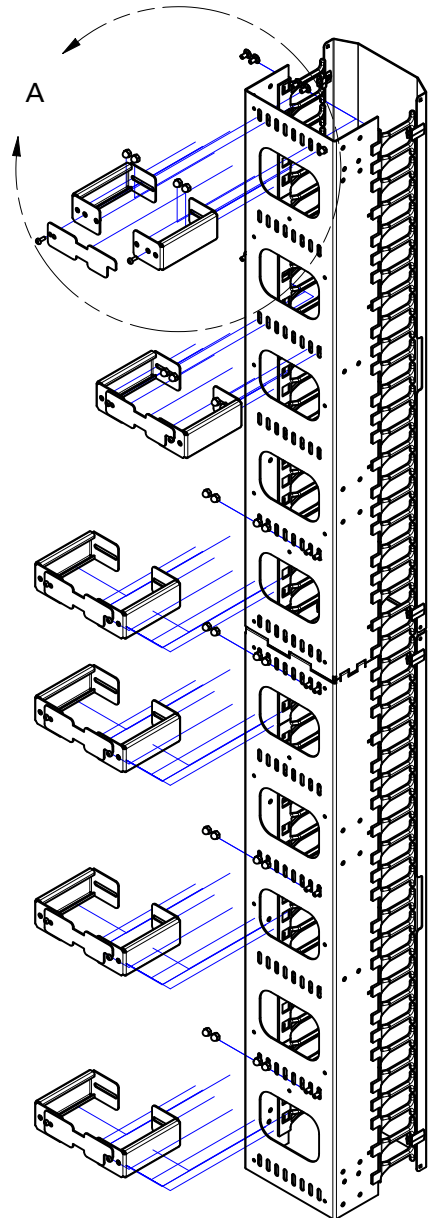
See page 2 for install.

# RFM-HDCRK-INSTALLATION

\* High density cable ring kits mount to the back of any cable managers (RFM-RHDV-XX-XX-SB) ranging from 6" to 15" max.

RFM-RHDV-DR singles (x6) can be located at any desired location and fasten with the hardware package provided.

1/4" carriage bolts should be inserted from the inside of the cable manager and accepting acorn nuts on the inside of the RHDV-DR (See image for reference)



TOP VIEW  
CABLE-RING ASSEMBLED  
ON RHDV-SB

## R.F. MOTE

A division of Chatsworth Products

214 NEWKIRK RD.  
RICHMOND HILL, ONTARIO  
L4C 3G7  
PHONE (905) 884-5250  
FAX (905) 737-5188

TOLERANCES	DESCRIPTION		
FRAC. ± 1/16"	PART NUMBER <b>RFM-HDCRK-6-10-B</b>		
ANGLE ± 1.0°			
HOLES ± 0.003"			
0.000 ± 0.015"			
	DATE	MASS	REV
	20-Apr-26	24.19 lb	00
	AUTHOR gillison i	SHEET 2 OF 2	

The information contained herewithin is proprietary and confidential to R.F.MOTE LTD. It may not be reproduced or further disseminated, in whole or in part, without prior written consent from R.F.MOTE LTD.