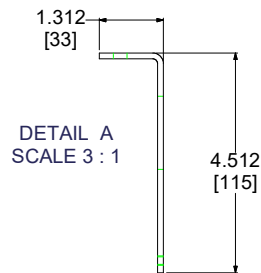
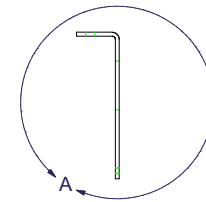
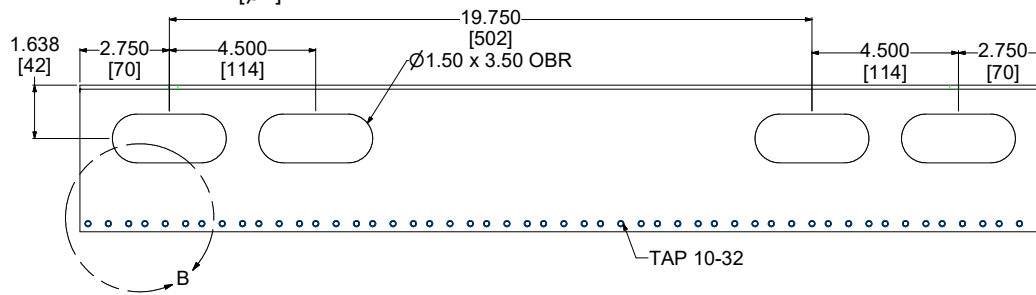
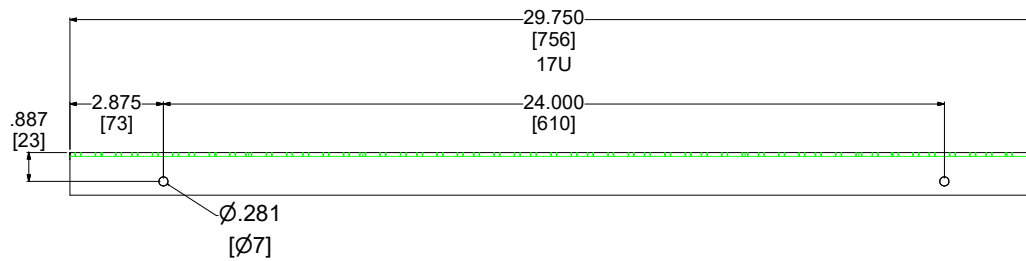
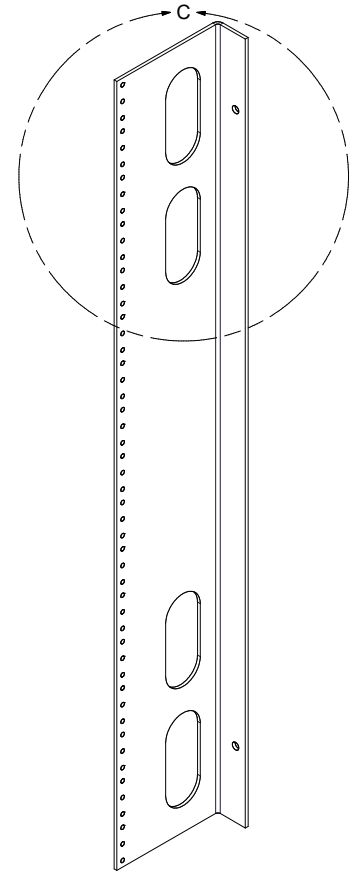
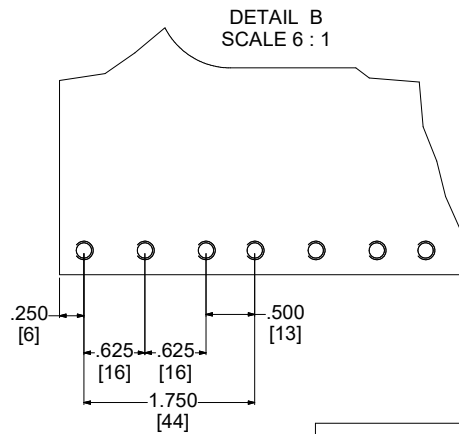


DETAIL C
SCALE 3 : 1



DETAIL A
SCALE 3 : 1



DETAIL B
SCALE 6 : 1

NOTE: C/W SILKSCREENED U-MARKING

The information contained herewithin is proprietary and confidential to **R.F.MOTE LTD.** It may not be reproduced or further disseminated, in whole or in part, without prior written consent from **R.F.MOTE LTD.**

NOTE: ISOMETRIC VIEW IS NOT TO SCALE

| | | | | |
|--|-------|--------------------|------------|-----|
| R.F.MOTE LTD ENGINEERED SYSTEMS | | | | |
| PART NUMBER | | RFM-1935-MA | | |
| DATE | SCALE | SHEET | WEIGHT | REV |
| 13-Aug-20 | 2 : 1 | 1 OF 1 | 5.0 lbmass | 00 |
| Please visit www.rfmote.com for more information and specs | | | | |