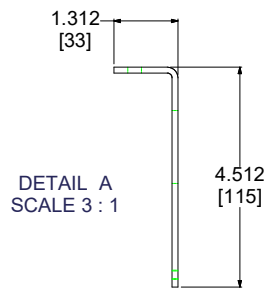
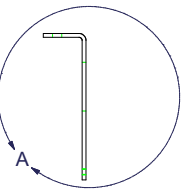
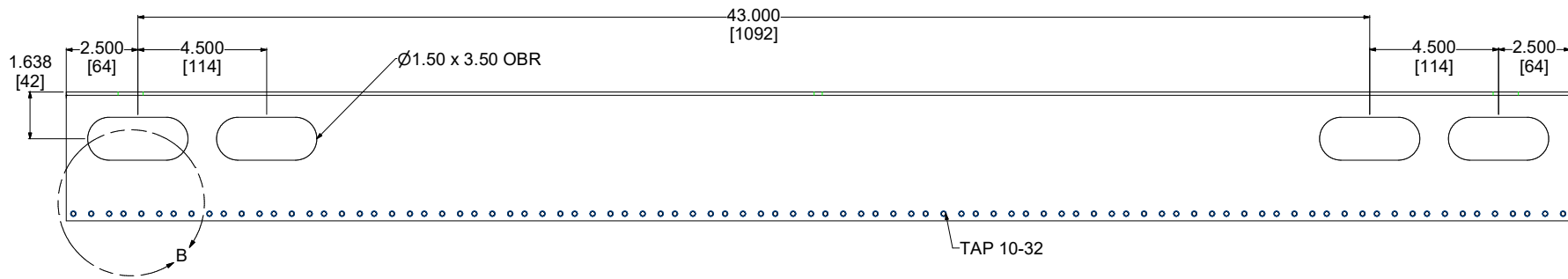
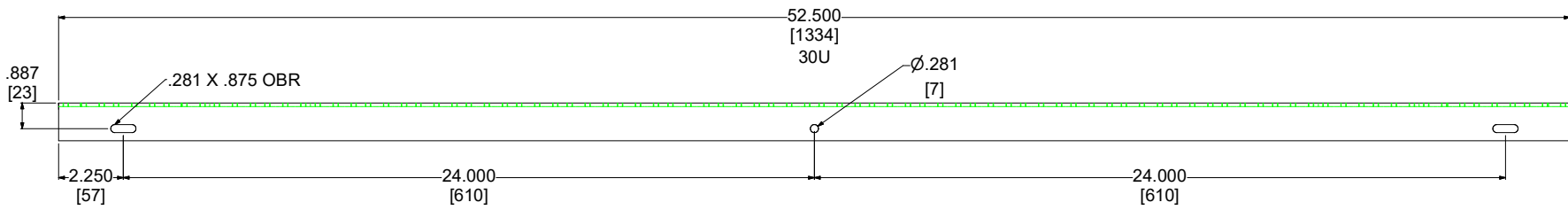
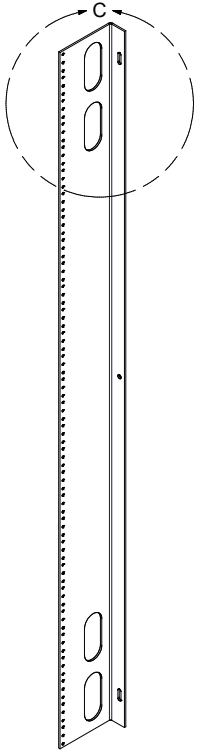
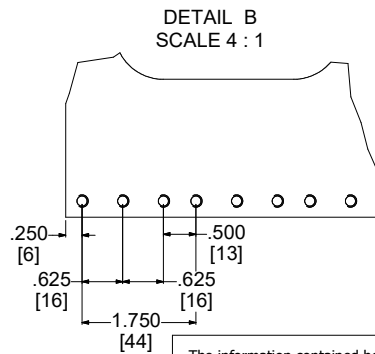


DETAIL C
SCALE 2 : 1



DETAIL A
SCALE 3 : 1



DETAIL B
SCALE 4 : 1

NOTE: C/W SILKSCREENED U-MARKING

The information contained herewithin is proprietary and confidential to **R.F.MOTE LTD.** It may not be reproduced or further disseminated, in whole or in part, without prior written consent from **R.F.MOTE LTD.**

NOTE: ISOMETRIC VIEW IS NOT TO SCALE

R.F.MOTE LTD
ENGINEERED SYSTEMS

PART NUMBER		RFM-1959-MA		
DATE	SCALE	SHEET	WEIGHT	REV
12-Aug-20	2 : 1	1 OF 1	9.4 lbmass	00
Please visit www.rfmote.com for more information and specs				