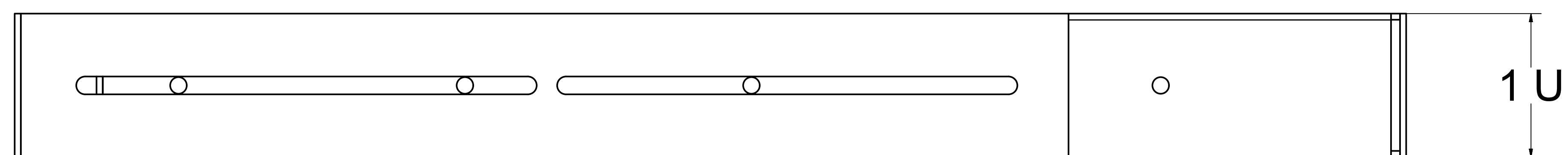
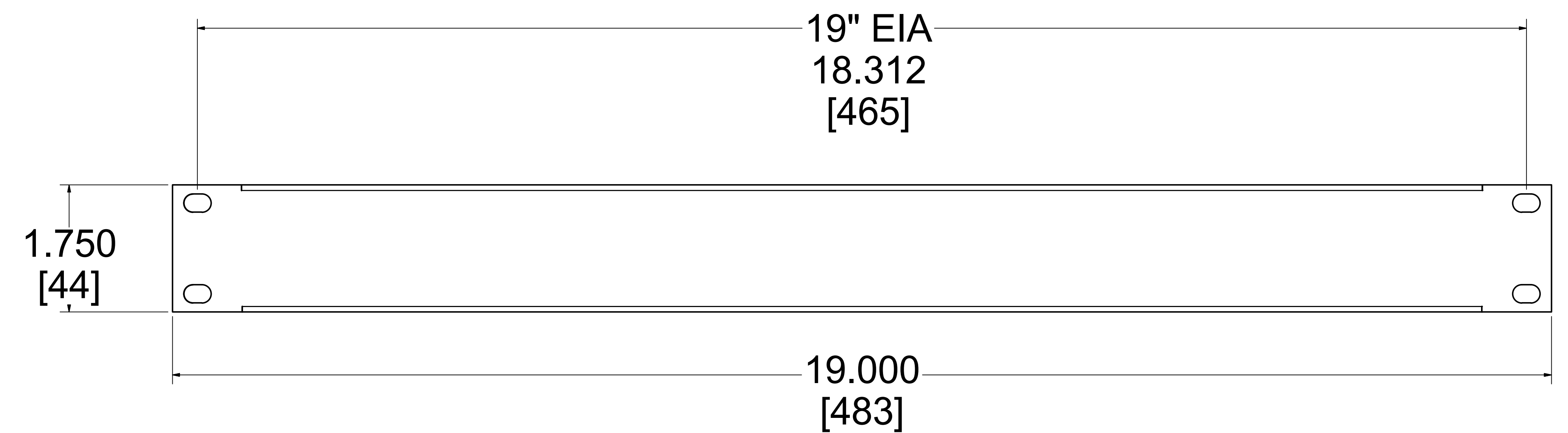
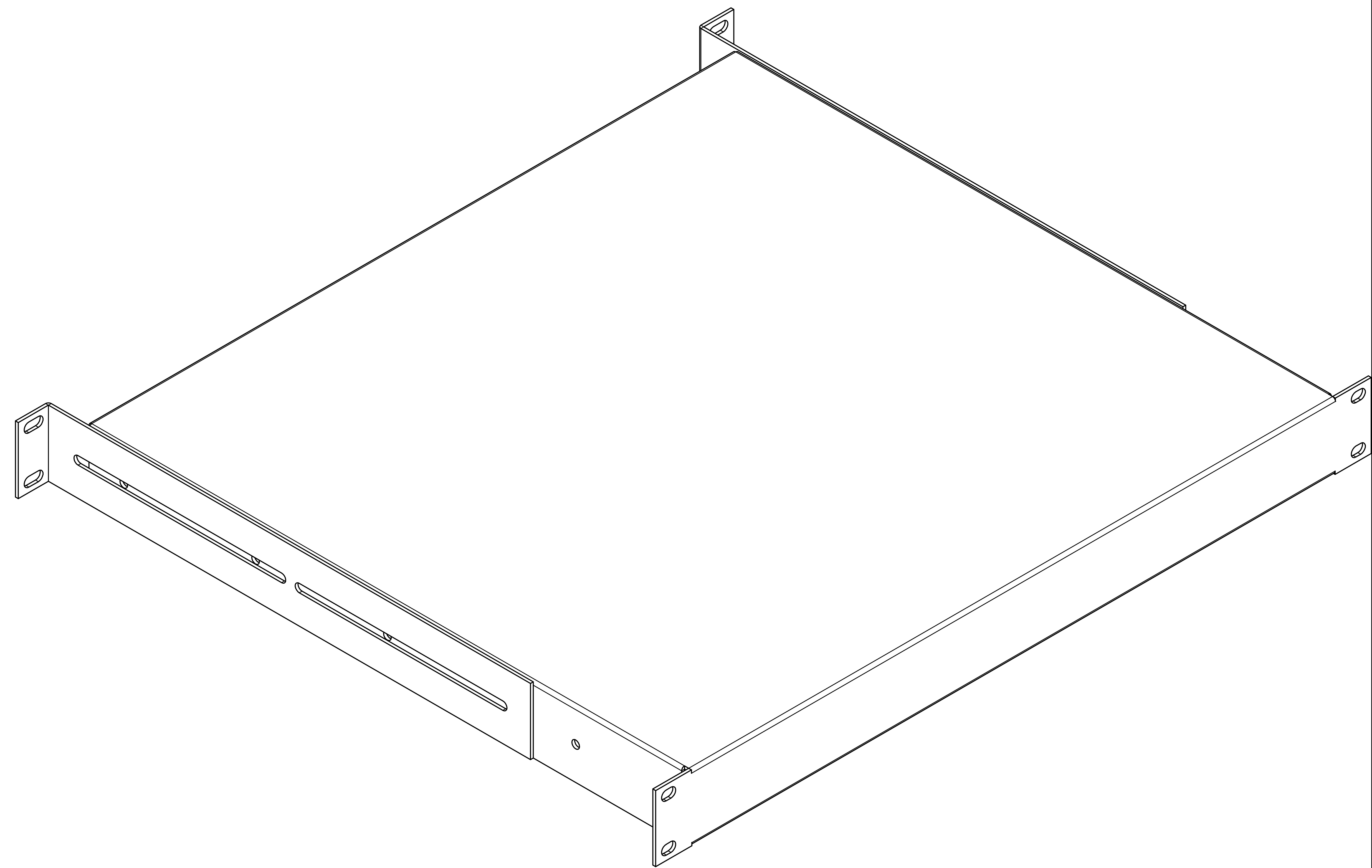


ADJUSTABLE  
FROM  
6.000  
[152]  
TO  
23.625  
[600]



1 U



NOTE: ISOMETRIC VIEW IS NOT TO SCALE

**R.F.MOTE LTD**  
ENGINEERED SYSTEMS

PART NUMBER

**RFM-1716-CFS-4**

The information contained herewithin is proprietary and confidential to **R.F.MOTE LTD**. It may not be reproduced or further disseminated, in whole or in part, without prior written consent from **R.F.MOTE LTD**.

DATE  
JULY 16/18  
Please visit [www.rfmote.com](http://www.rfmote.com) for more information and specs

SCALE  
**1 : 1**

**SHEET  
1 OF 1**

WEIGHT  
9.470 lbmass

REV  
**00**